

36 503 985



- cover plate 120 x 120 mm
- temperature control handle with safety limit stop at 38°C
- thermostat cartridge

Fits: IMO, MEM, CL.1, CYO

| | | |
|---|-------------------------------|---------------|
|  | Platinum | 36 503 985-08 |
|  | Chrome | 36 503 985-00 |
|  | Brushed Platinum | 36 503 985-06 |
|  | Dark Chrome | 36 503 985-19 |
|  | Brushed Light Gold | 36 503 985-27 |
|  | Brushed Durabrass (23kt Gold) | 36 503 985-28 |
|  | Matte Black | 36 503 985-33 |
|  | Brushed Champagne (22kt Gold) | 36 503 985-46 |
|  | Champagne (22kt Gold) | 36 503 985-47 |
|  | Brushed Chrome | 36 503 985-93 |
|  | Brushed Dark Platinum | 36 503 985-99 |

Required miscellaneous



xTOOL Concealed thermostat module without volume control - 35 503 970 90
 •max. recess depth 160 mm
 •min. recess depth 95 mm

Recommended miscellaneous



xGRID Attachment set for integrating in the dry wall construction - 12 340 970 90

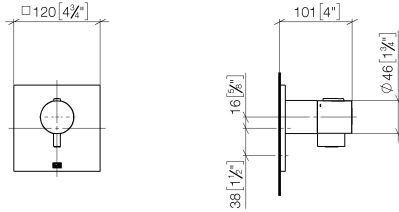
Required miscellaneous



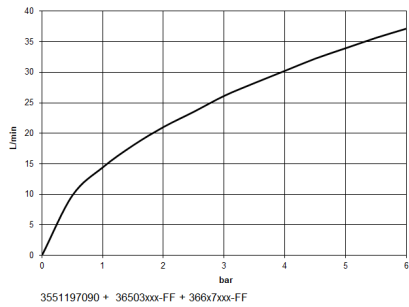
xGRID Installation track 555 mm - 12 360 970 90

36 503 985

mm [inches]



Flow rate chart



Certificates

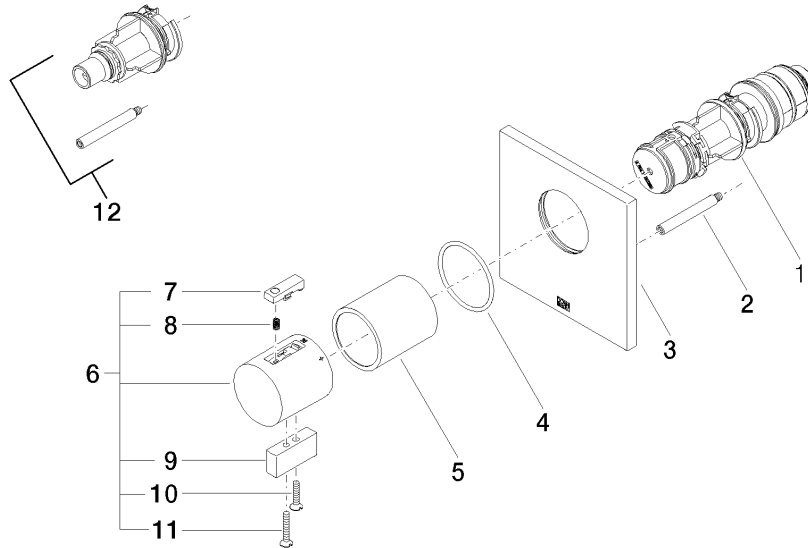
WRAS_2011026.

DVGW_DW-
6512DN0706.

LGA_29930.

LGA_29932.

36 503 985



Spare parts list

| No. | Item Number | Name | Quantity used | Delivery time |
|-----|--------------------|-------------------|---------------|---------------|
| 1 | 90 15 02 063 00 90 | cartridge | 1 | 2 |
| 2 | 90 31 09 095 00 90 | bar | 1 | 2 |
| 3 | 09 11 02 196-08 | cover | 1 | 60 |
| 4 | 90 14 10 049 00 90 | seal | 1 | 2 |
| 5 | 90 21 02 112 00-08 | sleeve | 1 | 40 |
| 6 | 04 17 33 006 00-08 | handle | 1 | 60 |
| 7 | 90 21 33 011 00-13 | handle | 1 | 2 |
| 8 | 90 16 02 027 00 90 | spring | 1 | 2 |
| 9 | 09 20 33 006-08 | handle | 1 | 40 |
| 10 | 09 30 30 159-08 | screw | 1 | 40 |
| 11 | 09 30 30 160-08 | screw | 1 | 40 |
| 12 | 12 178 970 90 | Extension 46 mm - | 1 | 2 |