

WATER FAN vertical Concealed body spray - Brushed Chrome

IMO

36 513 979



- AQUAPRESSURE FLOW, max. flow rate 6.8 l/min (at 3 bar)
- water jet adjustable
- cover plate 240 x 60 mm
- 1/2" connection
- This product can help a building meet the requirements of Green Building Rating Systems, e.g. LEED®, BREEAM®, DGNB

Fits: IMO, LULU, MADISON, MEM, TARA, CL.1, LISSÉ, VAIA, META, CYO

	Brushed Chrome	36 513 979-93 0050
	Chrome	36 513 979-00 0050
	Brushed Platinum	36 513 979-06 0050
	Platinum	36 513 979-08 0050
	Dark Chrome	36 513 979-19 0050
	Light Gold	36 513 979-26 0050
	Brushed Light Gold	36 513 979-27 0050
	Brushed Durabronze (23kt Gold)	36 513 979-28 0050
	Matte Black	36 513 979-33 0050
	Brushed Bronze	36 513 979-42 0050
	Brushed Champagne (22kt Gold)	36 513 979-46 0050
	Champagne (22kt Gold)	36 513 979-47 0050
	Brushed Dark Platinum	36 513 979-99 0050

Required miscellaneous



Concealed wall installation box - 35 206 970 90
 • max. recess depth 173 mm
 • min. recess depth 100 mm

Recommended miscellaneous



xGRID Attachment set for integrating in the dry wall construction - 12 340 970 90

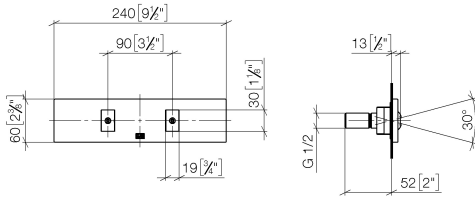
Required miscellaneous



xGRID Installation track 555 mm - 12 360 970 90

36 513 979

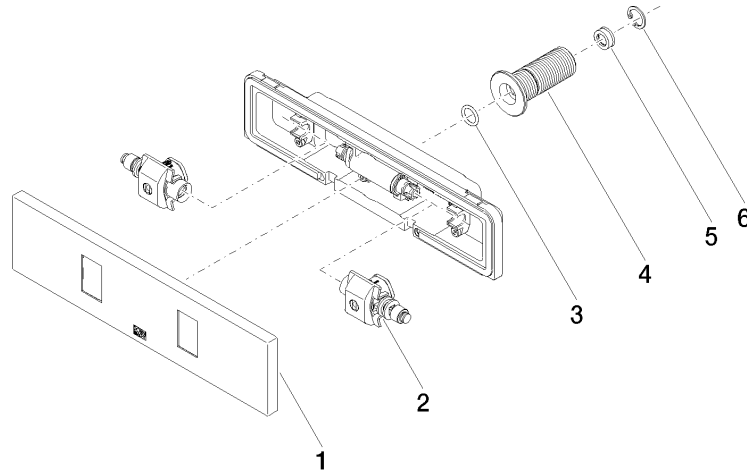
mm [inches]



Flow rate chart



36 513 979



Spare parts list

No.	Item Number	Name	Quantity used	Delivery time
1	90 27 99 002 00-93	insert	1	20
2	90 31 10 013 00 90	insert	1	2
3	09 14 10 003 90	seal	1	2
4	09 24 05 015 90	nipple	1	2
5	09 23 01 165 90	flow reducer	1	2
6	09 16 01 014 90	ring	1	2