

## WATER CURVE Concealed body spray - Champagne (22kt Gold)

IMO

36 514 979



- AQUAPRESSURE FLOW, max. flow rate 6.8 l/min (at 3 bar)
- water jet adjustable
- cover plate 120 x 60 mm
- 1/2" connection
- This product can help a building meet the requirements of Green Building Rating Systems, e.g. LEED®, BREEAM®, DGNB

Fits: IMO, LULU, MADISON, MEM, TARA, CL.1, LISSÉ, VAIA, META, CYO

|  |                                |                    |
|--|--------------------------------|--------------------|
|  | Champagne (22kt Gold)          | 36 514 979-47 0050 |
|  | Chrome                         | 36 514 979-00 0050 |
|  | Brushed Platinum               | 36 514 979-06 0050 |
|  | Platinum                       | 36 514 979-08 0050 |
|  | Dark Chrome                    | 36 514 979-19 0050 |
|  | Light Gold                     | 36 514 979-26 0050 |
|  | Brushed Light Gold             | 36 514 979-27 0050 |
|  | Brushed Durabronze (23kt Gold) | 36 514 979-28 0050 |
|  | Matte Black                    | 36 514 979-33 0050 |
|  | Brushed Bronze                 | 36 514 979-42 0050 |
|  | Brushed Champagne (22kt Gold)  | 36 514 979-46 0050 |
|  | Brushed Chrome                 | 36 514 979-93 0050 |
|  | Brushed Dark Platinum          | 36 514 979-99 0050 |

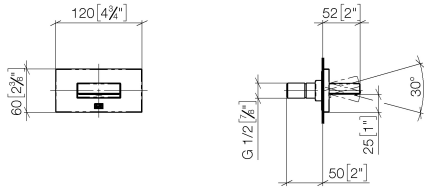
### Recommended miscellaneous

- Concealed wall elbow -** 35 085 970 90
- max. recess depth 163 mm
  - min. recess depth 90 mm



36 514 979

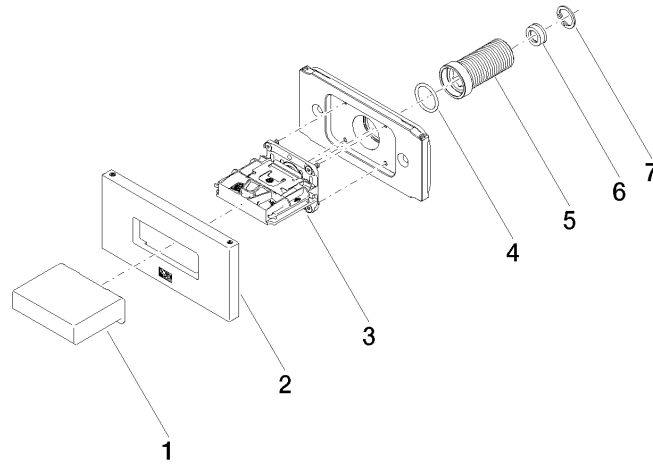
mm [inches]



**Flow rate chart**



36 514 979



### Spare parts list

| No. | Item Number        | Name         | Quantity used | Delivery time |
|-----|--------------------|--------------|---------------|---------------|
| 1   | 09 17 01 230-47    | casing       | 1             | 30            |
| 2   | 90 27 97 041 00-47 | rosette      | 1             | 30            |
| 3   | 90 29 03 088 00 90 | insert       | 1             | 2             |
| 4   | 90 14 10 010 00 90 | seal         | 1             | 2             |
| 5   | 09 24 04 336 90    | nipple       | 1             | 2             |
| 6   | 09 23 01 165 90    | flow reducer | 1             | 2             |
| 7   | 09 16 01 014 90    | ring         | 1             | 2             |