



**LULU Wall valve clockwise closing 1/2" - Brushed Platinum**

LULU


36 607 710



- rosette 78 x 55 mm
- head part with cut-to-length spindle and sleeve
- WRAS

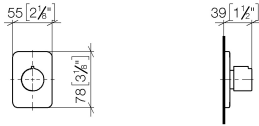
|   |                  |               |
|---|------------------|---------------|
|  | Brushed Platinum | 36 607 710-06 |
|  | Chrome           | 36 607 710-00 |

**Required miscellaneous**

|   |  |               |
|---|--|---------------|
|  | <b>Wall valve 1/2" -</b><br>•max. recess depth mm<br>•min. recess depth mm | 35 607 970 90 |
|---|--|---------------|

36 607 710

mm [inches]



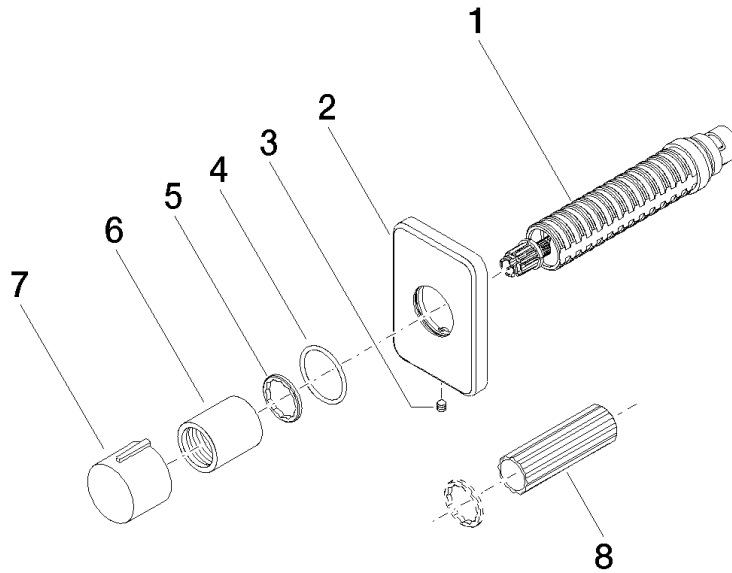
Codes & Standards

|                        |                             |           |          |
|------------------------|-----------------------------|-----------|----------|
| DIN 4109               | EN 1111                     | EN 200    | ISO 3822 |
| Scottish Water Byelaws | UK Water Supply Regulations | Ü-Zeichen |          |

Certificates

|                 |           |        |           |                 |
|-----------------|-----------|--------|-----------|-----------------|
| DVGW_DW-6501DN0 | WRAS_2011 | LGA_29 | WRAS_2010 | DVGW_DW-6512DN0 |
| LGA_29          |           |        |           |                 |

36 607 710



### Spare parts list

| No. | Item Number        | Name    | Quantity used | Delivery time |
|-----|--------------------|---------|---------------|---------------|
| 1   | 90 90 03 143 00 90 | top     | 1             | 2             |
| 2   | 09 27 71 029-06    | rosette | 1             | 10            |
| 3   | 90 31 11 007 00 90 | pin     | 1             | 2             |
| 4   | 90 14 10 063 00 90 | seal    | 1             | 2             |
| 5   | 09 16 01 025 90    | ring    | 1             | 2             |
| 6   | 09 21 02 070-06    | cover   | 1             | 10            |
| 7   | 09 20 97 030-06    | handle  | 1             | 10            |
| 8   | 90 30 09 010 00 90 | key     | 1             | 2             |