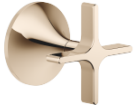


**VAIA Wall valve clockwise closing 1/2" - Champagne (22kt Gold)**

VAIA

36 607 809



- rosette Ø 60 mm
- head part with cut-to-length spindle and sleeve
- WRAS 2011026, 2010066

	Champagne (22kt Gold)	36 607 809-47
	Chrome	36 607 809-00
	Brushed Platinum	36 607 809-06
	Platinum	36 607 809-08
	Dark Chrome	36 607 809-19
	Brushed Durabronze (23kt Gold)	36 607 809-28
	Brushed Bronze	36 607 809-42
	Brushed Champagne (22kt Gold)	36 607 809-46
	Brushed Dark Platinum	36 607 809-99

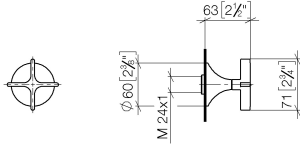
**Required miscellaneous**



- Wall valve 1/2" -** 35 607 970 90
- max. recess depth 145 mm
  - min. recess depth 75 mm

36 607 809

mm [inches]



Codes & Standards

DIN 4109

EN 1111

EN 200

ISO 3822

Scottish Water  
Byelaws

UK Water Supply  
Regulations

Ü-Zeichen

Certificates

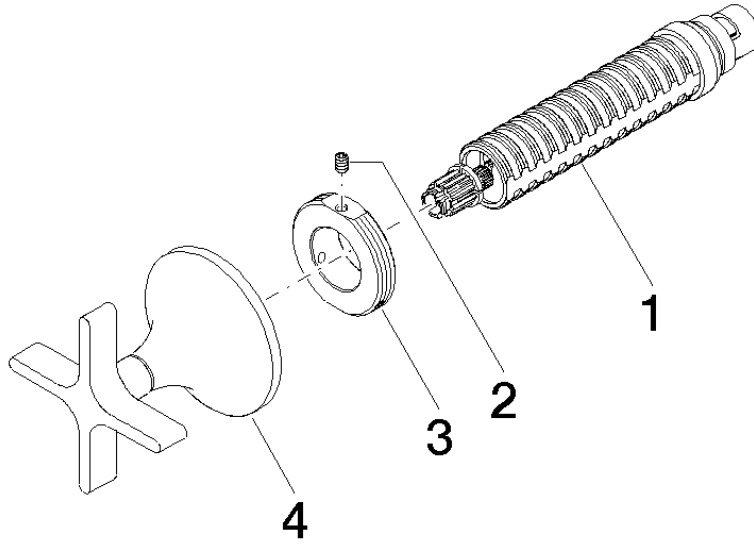
DVGW\_DW-  
6501DN0

WRAS\_2010

LGA\_29

DVGW\_DW-  
6512DN0

WRAS\_2011





VAIA Wall valve clockwise closing 1/2" - Champagne (22kt Gold)

VAIA

36 607 809

**Spare parts list**

No.	Item Number	Name	Quantity used	Delivery time
	90 90 03 143 00 90	top	4	2