

VAIA Wall valve clockwise closing 1/2" - Brushed Bronze

36 607 819

- rosette Ø 60 mm
- head part with cut-to-length spindle and sleeve
- WRAS



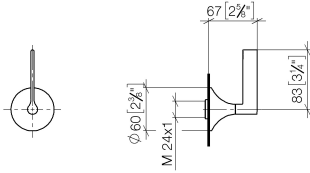
	Brushed Bronze	36 607 819-42
	Chrome	36 607 819-00
	Brushed Platinum	36 607 819-06
	Platinum	36 607 819-08
	Dark Chrome	36 607 819-19
	Brushed Durabronze (23kt Gold)	36 607 819-28
	Brushed Champagne (22kt Gold)	36 607 819-46
	Champagne (22kt Gold)	36 607 819-47
	Brushed Dark Platinum	36 607 819-99



VAIA Wall valve clockwise closing 1/2" - Brushed Bronze

36 607 819

mm [inches]



Codes & Standards

ASME A112.18.1	cUPC	DIN 4109	EN 1111
ISO 3822	Scottish Water Byelaws	UK Water Supply Regulations	Ü-Zeichen

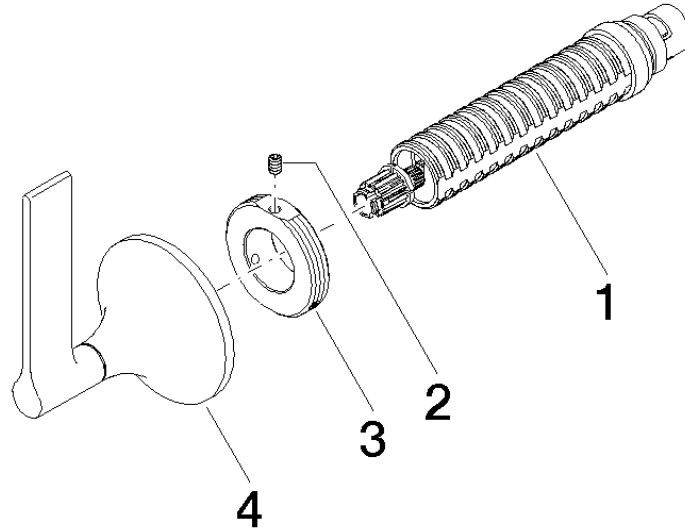
Certificates

WRAS_2011	LGA_29	WRAS_2010	DVGW_DW- 6512DN0	IAPMO_4976 (
-----------	--------	-----------	---------------------	--------------

VAIA Wall valve clockwise closing 1/2" - Brushed Bronze

36 607 819

Parts for other finishes can be found here: [Chrome](#)



Spare parts list

No.	Item Number	Name	Quantity used	Delivery time
1	90 90 03 143 00 90	top	1	2
2	09 31 11 008 90	pin	1	2
3	09 21 02 163 90	disc	1	2
4	90 20 80 015 00-42	handle	1	30