

**MEM Wall-mounted single-lever basin mixer with cover plate without pop-up waste - Dark Chrome**

MEM

36 863 782



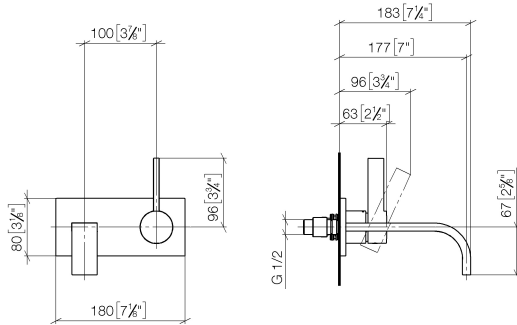
- 177mm projection
- fixed spout
- rectangular, air-enriched flow
- hole diameter spout 37 mm
- hole diameter single-lever mixer 57 mm
- cover plate 80 x 180 mm
- max. flow 5.7 l/min
- lead-free
- This product can help a building meet the requirements of Green Building Rating Systems, e.g. LEED®, BREEAM®, DGNB
- WRAS 2107018

	Dark Chrome	36 863 782-19
	Chrome	36 863 782-00
	Brushed Platinum	36 863 782-06
	Platinum	36 863 782-08
	Brushed Durabrass (23kt Gold)	36 863 782-28
	Brushed Champagne (22kt Gold)	36 863 782-46
	Champagne (22kt Gold)	36 863 782-47
	Brushed Dark Platinum	36 863 782-99

**MEM Wall-mounted single-lever basin mixer with cover plate without pop-up waste - Dark Chrome**

MEM

36 863 782  
mm [inches]



**Flow rate chart**



**Certificates**

DVGW\_DW-  
6512DN0435.

WRAS\_2107018.

MEM Wall-mounted single-lever basin mixer with cover plate without pop-up  
waste - Dark Chrome

MEM

36 863 782

Parts for other  
finishes can be found  
here: [Chrome](#)

