

Washstand fitting with electronic opening and closing function without pop-up waste - Dark Chrome

TARA

44 521 660



Fits: TARA, META

- 165mm projection
- Infrared sensor technology
- height of mixer 310 mm
- height up to aerator 199 mm
- hole diameter 35 mm
- fixed spout
- max. flow 5.7 l/min
- circular, air-enriched flow
- suitable for thermal disinfection
- Automatic shut-off after pre-set time is reached
- Indirect temperature control (undercounter)
- Control box included
- Adjustable sensor detection range
- Battery or plug-in power supply operated (batteries not included)
- 4x AA (1.5V) batteries required
- lead-free
- 1x screw-in M 8 x 1 pressure hose, leak-tested
- This product can help a building meet the requirements of Green Building Rating Systems, e.g. LEED®, BREEAM®, DGNB
- WRAS 2211011

Batteries not included

	Dark Chrome	44 521 660-19
	Chrome	44 521 660-00
	Brushed Platinum	44 521 660-06
	Platinum	44 521 660-08
	Light Gold	44 521 660-26
	Brushed Light Gold	44 521 660-27
	Brushed Durabronss (23kt Gold)	44 521 660-28
	Matte Black	44 521 660-33
	Brushed Bronze	44 521 660-42
	Brushed Champagne (22kt Gold)	44 521 660-46
	Champagne (22kt Gold)	44 521 660-47
	Brushed Chrome	44 521 660-93
	Brushed Dark Platinum	44 521 660-99



Washstand fitting with electronic opening and closing function without pop-up
waste - Dark Chrome

TARA

44 521 660

Certificates

GDV_0400

LGA_38

WRAS_2211

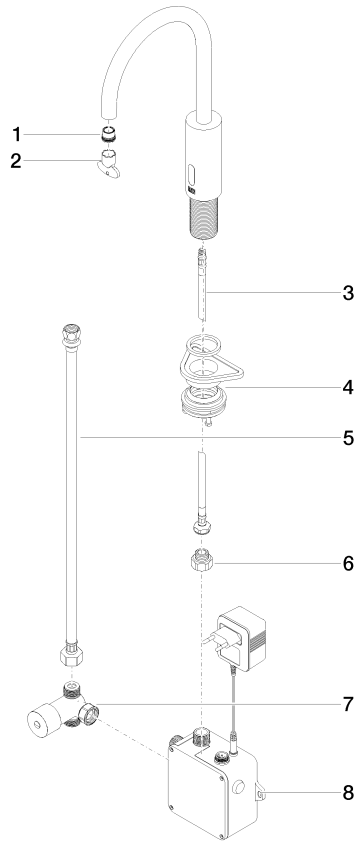
Belgaqua_23-210-2

Washstand fitting with electronic opening and closing function without pop-up waste - Dark Chrome

TARA

44 521 660

Parts for other finishes can be found here: [Chrome](#)





Washstand fitting with electronic opening and closing function without pop-up
waste - Dark Chrome

TARA

44 521 660

Spare parts list