

**VAIA Washstand fitting with electronic opening and closing function without pop-up waste - Brushed Durabronz (23kt Gold)**

VAIA

44 521 809



- Infrared sensor technology
- 167mm projection
- height of mixer 306 mm
- height up to aerator 221 mm
- hole diameter 35 mm
- fixed spout
- max. flow 5.7 l/min
- circular, air-enriched flow
- suitable for thermal disinfection
- Automatic shut-off after pre-set time is reached
- Indirect temperature control (undercounter)
- Control box included
- Adjustable sensor detection range
- Battery or plug-in power supply operated (batteries not included)
- 4x AA (1.5V) batteries required
- lead-free
- 1x screw-in M 8 x 1 pressure hose, leak-tested
- This product can help a building meet the requirements of Green Building Rating Systems, e.g. LEED®, BREEAM®, DGNB
- WRAS 2211011

Batteries not included

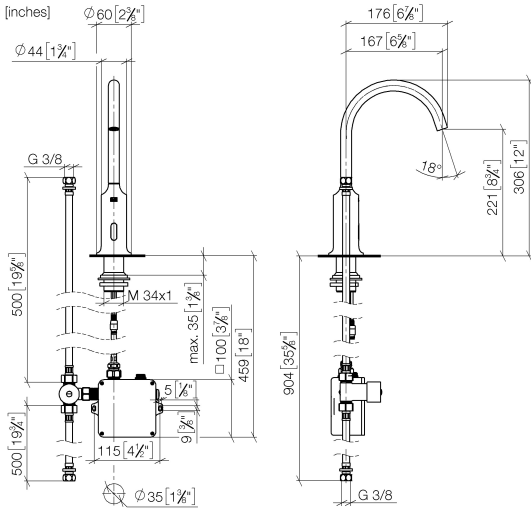
	Brushed Durabronz (23kt Gold)	44 521 809-28
	Chrome	44 521 809-00
	Brushed Platinum	44 521 809-06
	Platinum	44 521 809-08
	Dark Chrome	44 521 809-19
	Matte Black	44 521 809-33
	Brushed Bronze	44 521 809-42
	Brushed Champagne (22kt Gold)	44 521 809-46
	Champagne (22kt Gold)	44 521 809-47
	Brushed Chrome	44 521 809-93
	Brushed Dark Platinum	44 521 809-99

**VAIA Washstand fitting with electronic opening and closing function without pop-up waste - Brushed Durabronz (23kt Gold)**

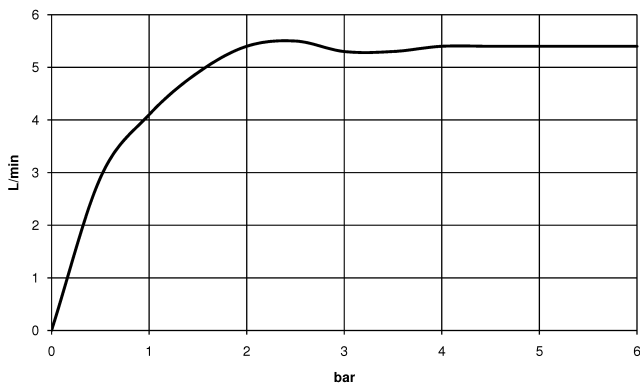
VAIA

44 521 809

mm [inches]  
1:5



**Flow rate chart**



**Codes & Standards**

DIN 4109

EN 1717

Executive Order  
no. 1007

ISO 3822

Scottish Water  
Byelaws

UK Water Supply  
Regulations

Ü-Zeichen



VAIA Washstand fitting with electronic opening and closing function without pop-up waste - Brushed Durabross (23kt Gold)

---

VAIA

44 521 809

Certificates

---

GDV\_0400

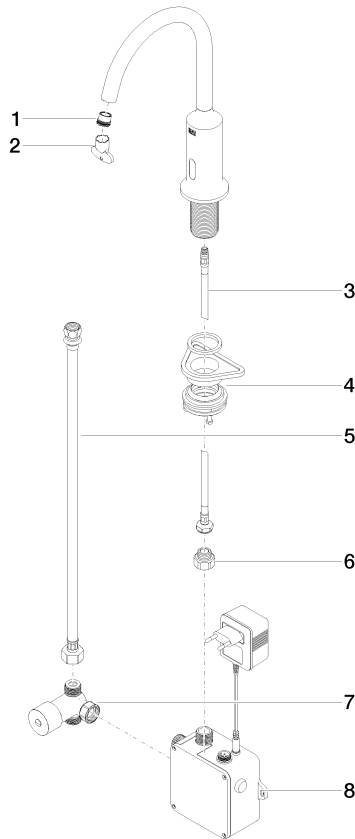
LGA\_38

WRAS\_2211

Belgaqua\_23-210-2

44 521 809

Parts for other  
finishes can be found  
here: [Chrome](#)





VAIA Washstand fitting with electronic opening and closing function without pop-up waste - Brushed Durabrass (23kt Gold)

VAIA

44 521 809

### Spare parts list

No.	Item Number	Name	Quantity used	Delivery time
	09 29 03 126 90	aerator	8	2