


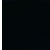

## EDITION PRO Dispenser wall model - Chrome

---

83 435 626



- bottle made of crystal glass, matt
- width 60mm
- height 203 mm
- 250 ml bottle
- 100mm projection

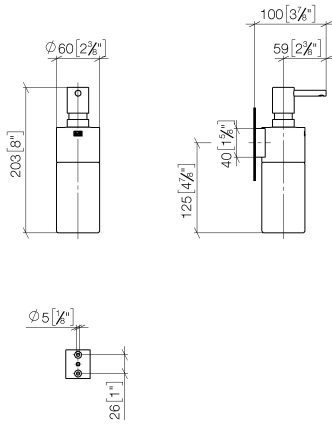
|   |                |               |
|---|----------------|---------------|
|  | Chrome         | 83 435 626-00 |
|  | Matte Black    | 83 435 626-33 |
|  | Brushed Chrome | 83 435 626-93 |

## EDITION PRO Dispenser wall model - Chrome

---

83 435 626

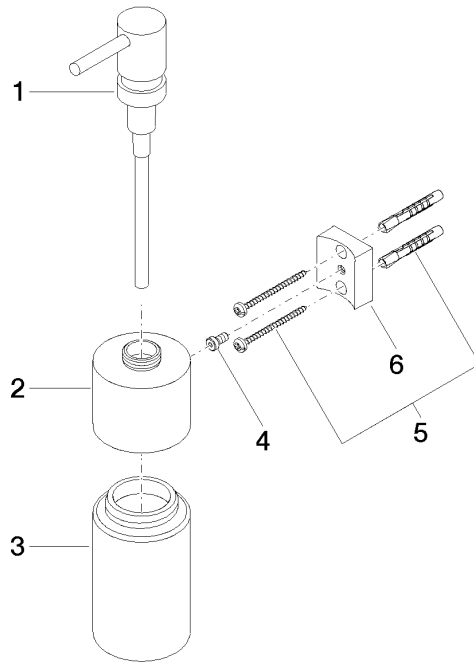
mm [inches]



**EDITION PRO Dispenser wall model - Chrome**

83 435 626

Parts for other finishes can be found here: [Matte Black](#)



**Spare parts list**

| No. | Item Number        | Name       | Quantity used | Delivery time |
|-----|--------------------|------------|---------------|---------------|
| 1   | 90 10 10 535 00-00 | dispenser  | 1             | 10            |
| 2   | 90 10 10 525 00-00 | base       | 1             | 10            |
| 3   | 90 90 04 001 00 82 | glass      | 1             | 2             |
| 4   | 09 30 30 093 90    | screw      | 1             | 2             |
| 5   | 05 30 31 025 00 90 | fixing set | 1             | 2             |
| 6   | 08 10 10 530-00    | holder     | 1             | 10            |