

83 500 892

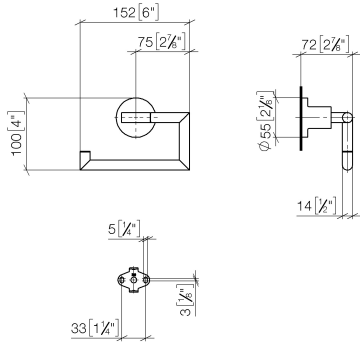


- width 152mm
- height 100 mm
- rosette Ø 55 mm
- 72mm projection

| | | |
|--|--------------------------------|---------------|
|  | Brushed Durabronze (23kt Gold) | 83 500 892-28 |
|  | Chrome | 83 500 892-00 |
|  | Brushed Platinum | 83 500 892-06 |
|  | Platinum | 83 500 892-08 |
|  | Dark Chrome | 83 500 892-19 |
|  | Matte Black | 83 500 892-33 |
|  | Brushed Bronze | 83 500 892-42 |
|  | Brushed Champagne (22kt Gold) | 83 500 892-46 |
|  | Champagne (22kt Gold) | 83 500 892-47 |
|  | Brushed Chrome | 83 500 892-93 |
|  | Brushed Dark Platinum | 83 500 892-99 |

83 500 892

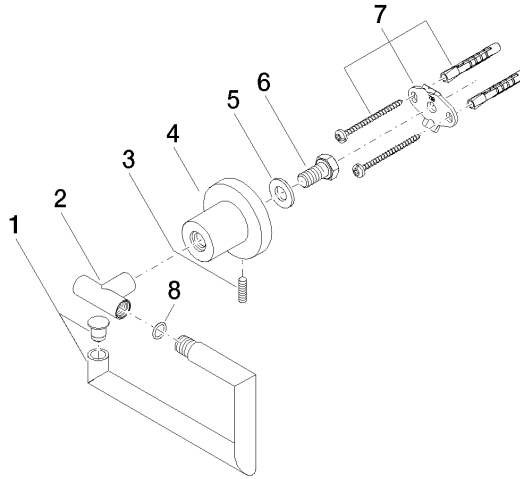
mm [inches]



83 500 892

Product version from 4/1/2024

Parts for other
finishes can be found
here: [Chrome](#)





TARA Tissue holder without cover - Brushed Durabronz (23kt Gold)

TARA

83 500 892

Spare parts list

Product version from 4/1/2024

| No. | Item Number | Name | Quantity used | Delivery time |
|-----|--------------------|--------|---------------|---------------|
| | 90 28 22 640 00-28 | holder | 8 | 20 |