



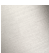



SYMETRICS Tissue holder without cover - Platinum

IMO

83 500 980

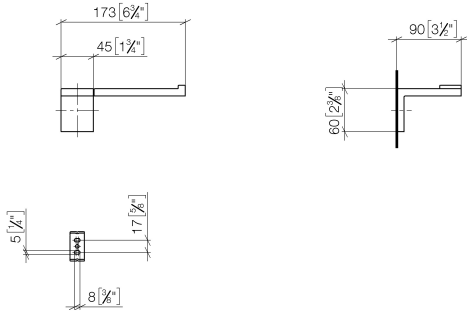


- width 175mm
- height 60 mm
- 90mm projection

	Platinum	83 500 980-08
	Chrome	83 500 980-00
	Brushed Platinum	83 500 980-06
	Brushed Durabronze (23kt Gold)	83 500 980-28
	Matte Black	83 500 980-33
	Brushed Dark Platinum	83 500 980-99

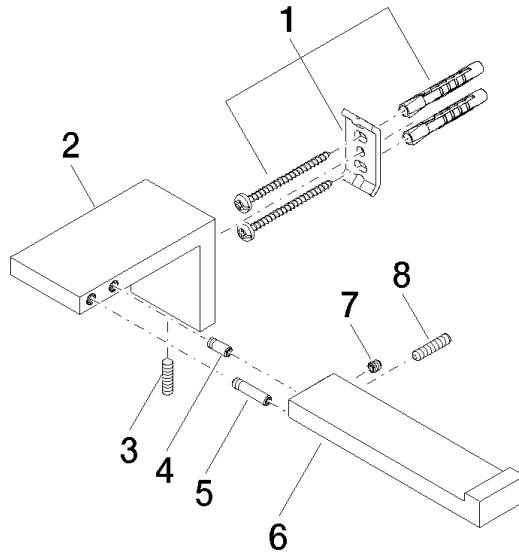
83 500 980

mm [inches]



83 500 980

Parts for other  
finishes can be found  
here: [Chrome](#)





# SYMETRICS Tissue holder without cover - Platinum

IMO

83 500 980

## Spare parts list

No.	Item Number	Name	Quantity used	Delivery time
	05 17 20 736 00 90	fixing set	8	2