



ST 050 407 2979



	Brushed Platinum	ST 050 407 2979-06 0050
	Brushed Dark Platinum	ST 050 407 2979-99 0050

Fits: IMO, LULU, MADISON, MEM, TARA, CL.1, LISSÉ, VAIA, META, CYO

Individual components of this set

You need the following components for this set

	1x	35 020 970 90		1x	35 085 970 90
	1x	12 380 970 90		1x	36 120 809-06
	1x	28 504 979-06 0050		1x	27 808 809-06 0050



## Headshower solution - Brushed Platinum

---

IMO

ST 050 407 2979

ST 050 407 2979



- lead-free, dezincification resistant
- 2x back flow preventer
- 3x outlet G 1/2"
- 2x female thread 1/2" connections
- 2x integrated supply stop
- dust cover
- anti-water packing
- sound and thermal insulation
- gauge 60 mm
- WRAS 2207012

Recommended miscellaneous

**Extension 25 mm -**

12 191 970 90



Recommended miscellaneous

**Extension 25 mm -**

12 190 970 90



Recommended miscellaneous

**xGRID Attachment set for  
integrating in the dry wall  
construction -**

12 340 970 90



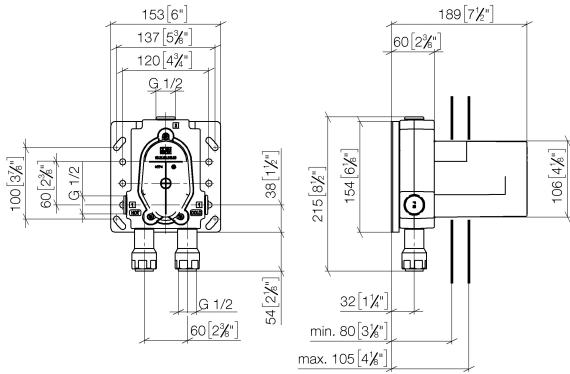
Required miscellaneous

**xGRID Installation track 555 mm -** 12 360 970 90

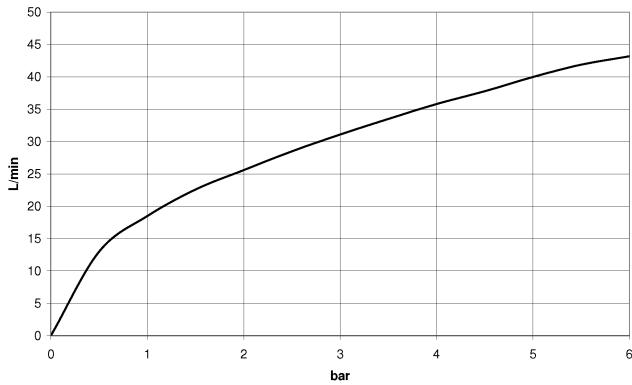


ST 050 407 2979

mm [inches]



Flow rate chart



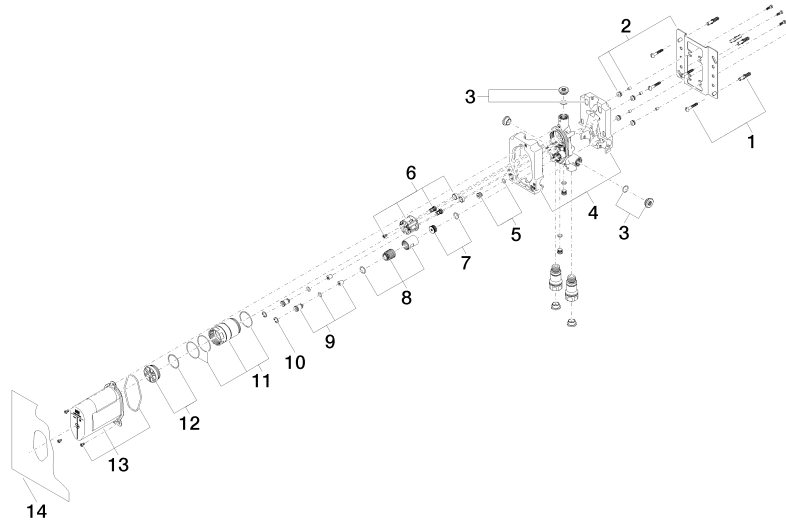
Certificates

DVGW\_DW-  
6512DN0126.

LGA\_19863.

WRAS\_2207012.

ST 050 407 2979



Spare parts list

No.	Item Number	Name	Quantity used	Delivery time
1	04 30 31 024 01 90	fixing set	2	2
2	04 17 20 128 00 90	holder	1	2
3	04 31 20 006 00 90	plug	2	2
4	09 11 11 058 90	accessories	1	2
5	04 31 20 039 11 90	plug	1	2
6	90 18 40 151 00 90	insert	1	2
7	90 31 20 098 00 90	plug	1	2
8	90 17 01 189 00 90	sleeve	1	2
9	04 24 03 223 00 90	insert	2	2
10	09 16 01 014 90	ring	2	2
11	90 17 01 187 00 90	sleeve	1	2
12	04 31 20 100 00 90	plug	1	2
13	90 21 02 148 00 90	cap	1	2
14	04 14 03 155 00 90	gasket kit	1	2

ST 050 407 2979



- red brass, lead-free
- female thread 1/2" connection
- 1x female thread 1/2" outlet
- dust cover
- anti-water packing
- soundproofing

For wall-mounted spouts and wall outlet elbows with 1/2" connection.



## Headshower solution - Brushed Platinum

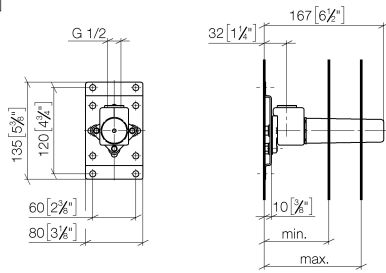
---

IMO

ST 050 407 2979

ST 050 407 2979

mm [inches]



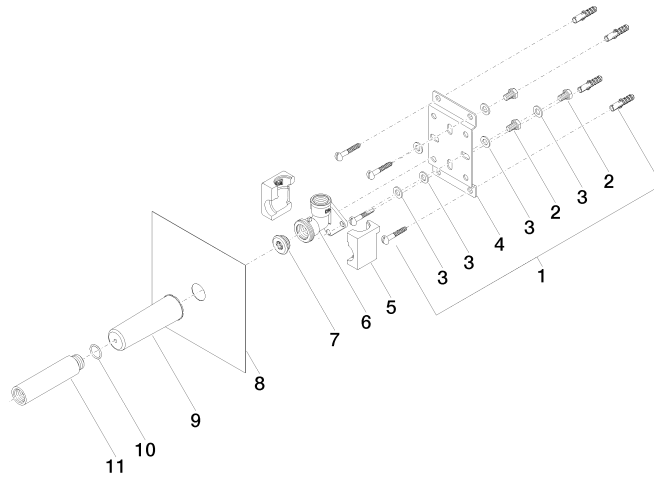
	min	max
CL_1	90 [3 1/2"]	163 [6 3/8"]
CL_2	68 [2 5/8"]	135 [5 3/8"]
Domicil	90 [3 1/2"]	163 [6 3/8"]
Gentle	90 [3 1/2"]	163 [6 3/8"]
IMO	90 [3 1/2"]	163 [6 3/8"]
Lissé	90 [3 1/2"]	163 [6 3/8"]
MEM	90 [3 1/2"]	163 [6 3/8"]
Symetrics	90 [3 1/2"]	163 [6 3/8"]
Vaia	90 [3 1/2"]	163 [6 3/8"]

Certificates

WRAS\_1904021. LGA\_29336.



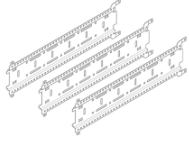
ST 050 407 2979



Spare parts list

No.	Item Number	Name	Quantity used	Delivery time
1	04 30 31 024 01 90	fixing set	2	2
2	09 30 30 152 90	screw	3	2
3	09 30 11 139 90	disc	6	2
4	09 17 20 094 90	holder	1	2
5	09 11 11 036 90	accessories	1	2
6	09 11 03 041 10 90	connection	1	2
7	04 31 20 006 00 90	plug	1	2
8	04 14 03 072 01 90	gasket kit	1	2
9	09 21 02 102 90	cap	1	2
10	90 14 10 010 00 90	seal	1	2
11	09 24 03 169 10 90	adaptor	1	2

ST 050 407 2979



- width 555mm
- height 135 mm
- depth 12 mm
- retaining screws and plugs

This set contains 3 xGRID installation tracks and includes fixing material

More about the xGRID installation track can be found in the Shower Book brochure



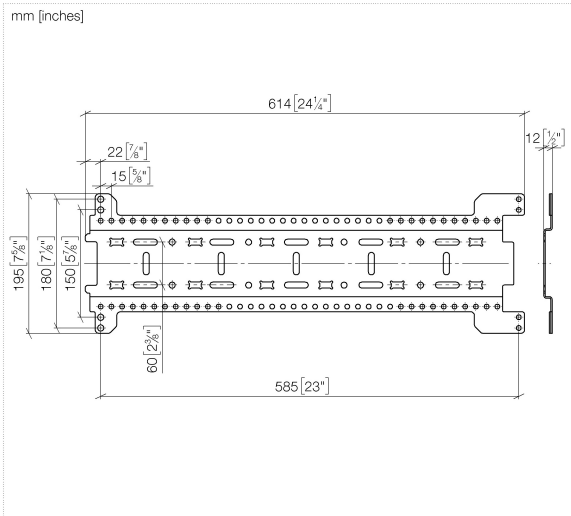
## Headshower solution - Brushed Platinum

---

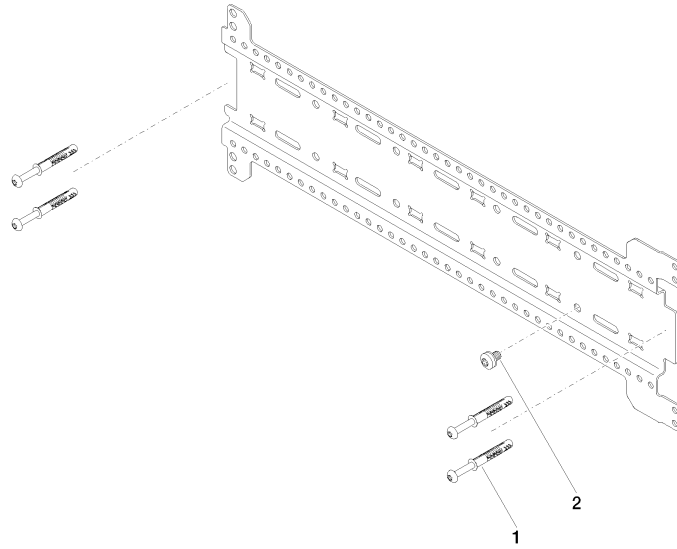
IMO

ST 050 407 2979

ST 050 407 2979



ST 050 407 2979



Spare parts list

No.	Item Number	Name	Quantity used	Delivery time
1	04 30 31 054 00 90	fixing set	6	2
2	04 30 30 212 00 90	fixing set	3	60

ST 050 407 2979



- automatic diverter
- cover plate Ø 150 mm

	Brushed Platinum	36 120 809-06
	Chrome	36 120 809-00
	Platinum	36 120 809-08
	Dark Chrome	36 120 809-19
	Brushed Durabronze (23kt Gold)	36 120 809-28
	Brushed Bronze	36 120 809-42
	Brushed Champagne (22kt Gold)	36 120 809-46
	Champagne (22kt Gold)	36 120 809-47
	Brushed Dark Platinum	36 120 809-99

Required miscellaneous



**Concealed single-lever mixer with backflow preventor -** 35 021 970 90  
 •max. recess depth 105 mm  
 •min. recess depth 80 mm

Required miscellaneous



**Concealed single-lever mixer -** 35 020 970 90  
 •max. recess depth 105 mm  
 •min. recess depth 80 mm

Recommended miscellaneous



**xGRID Attachment set for integrating in the dry wall construction -** 12 340 970 90

Required miscellaneous



**xGRID Installation track 555 mm -** 12 360 970 90



## Headshower solution - Brushed Platinum

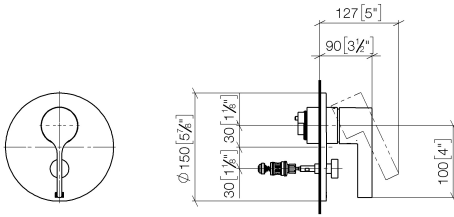
---

IMO

ST 050 407 2979

ST 050 407 2979

mm [inches]



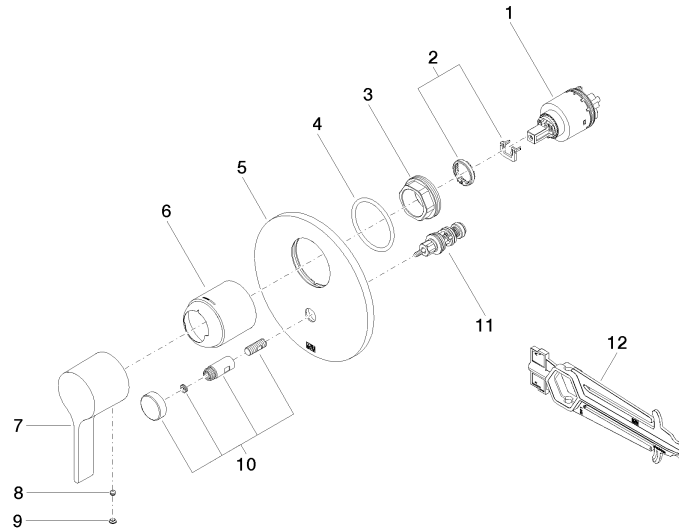
Certificates

LGA\_19863.

WRAS\_2207012.



ST 050 407 2979



Spare parts list


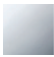
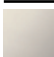









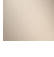


No.	Item Number	Name	Quantity used	Delivery time
1	90 15 05 038 00 90	cartridge	1	60
2	04 28 10 149 00 90	accessories	1	2
3	09 24 04 448 90	nut	1	2
4	09 14 10 084 90	seal	1	2
5	09 11 02 261-06	plate	1	10
6	09 11 02 260-06	sleeve	1	10
7	09 20 80 023-06	handle	1	10
8	90 31 11 063 00 90	pin	1	2
9	90 31 20 087 00-06	plug	1	10
10	90 31 09 139 00-06	pull-rod	1	10
11	90 21 34 081 00 90	diverter	1	2
12	90 30 09 064 00 90	key	1	2

ST 050 407 2979



Fits: TARA, LISSÉ, VAIA, META

- 180-210mm projection
- ball-joint pivotable through 30°
- PURIFY RAIN, max. flow rate 7 l/min (at 3 bar)
- with anti-scale system
- spray head Ø 100mm
- rosette Ø 55 mm
- 1/2" connection
- This product can help a building meet the requirements of Green Building Rating Systems, e.g. LEED®, BREEAM®, DGNB

	Brushed Platinum	28 504 979-06 0050
	Chrome	28 504 979-00 0050
	Platinum	28 504 979-08 0050
	Dark Chrome	28 504 979-19 0050
	Light Gold	28 504 979-26 0050
	Light Gold	28 504 979-26
	Brushed Light Gold	28 504 979-27 0050
	Brushed Light Gold	28 504 979-27
	Brushed Durabronze (23kt Gold)	28 504 979-28 0050
	Matte Black	28 504 979-33 0050
	Brushed Bronze	28 504 979-42 0050
	Brushed Champagne (22kt Gold)	28 504 979-46 0050
	Champagne (22kt Gold)	28 504 979-47 0050
	Brushed Chrome	28 504 979-93 0050
	Brushed Dark Platinum	28 504 979-99 0050

Recommended miscellaneous



- Concealed wall elbow -**
- max. recess depth 163 mm
  - min. recess depth 90 mm

35 085 970 90



## Headshower solution - Brushed Platinum

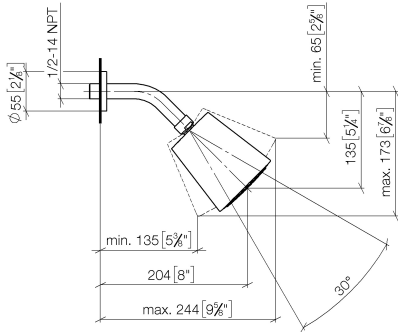
---

IMO

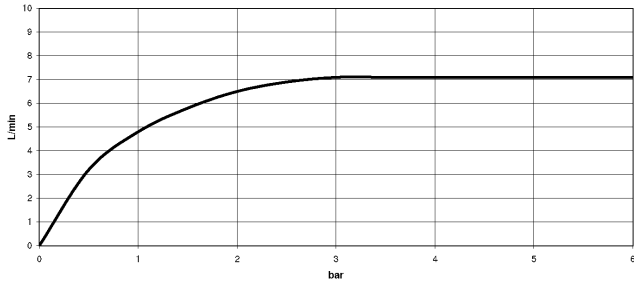
ST 050 407 2979

ST 050 407 2979

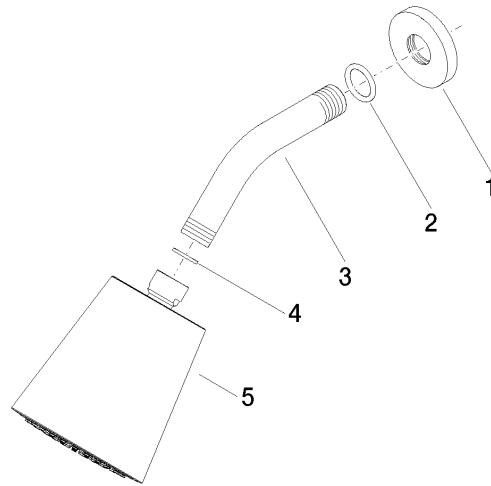
mm [inches]



Flow rate chart



ST 050 407 2979



### Spare parts list

No.	Item Number	Name	Quantity used	Delivery time
1	09 27 22 003-06	rosette	1	10
2	90 14 10 026 00 90	seal	1	2
3	09 11 03 011-06	connection	1	10
4	90 14 20 002 00 90	seal	1	2
5	90 12 05 054 00-06	shower	1	10

ST 050 407 2979



- COMPACT RAIN, max. flow rate 6.8 l/min (at 3 bar)
- with anti-scale system
- 3/8" shower outlet
- rosette for wall elbow Ø 60mm
- rosette for shower holder Ø 60mm
- metal shower hose 1250mm with integrated anti-twist protection
- 1/2" wall elbow
- This product can help a building meet the requirements of Green Building Rating Systems, e.g. LEED®, BREEAM®, DGNB

Intrinsic protection against back flow.

	Brushed Platinum	27 808 809-06 0050
	Chrome	27 808 809-00 0050
	Platinum	27 808 809-08 0050
	Dark Chrome	27 808 809-19 0050
	Brushed Durabronze (23kt Gold)	27 808 809-28 0050
	Brushed Bronze	27 808 809-42 0050
	Brushed Champagne (22kt Gold)	27 808 809-46 0050
	Champagne (22kt Gold)	27 808 809-47 0050
	Brushed Dark Platinum	27 808 809-99 0050

Recommended miscellaneous



**Concealed wall elbow -**

- max. recess depth 163 mm
- min. recess depth 90 mm

35 085 970 90



## Headshower solution - Brushed Platinum

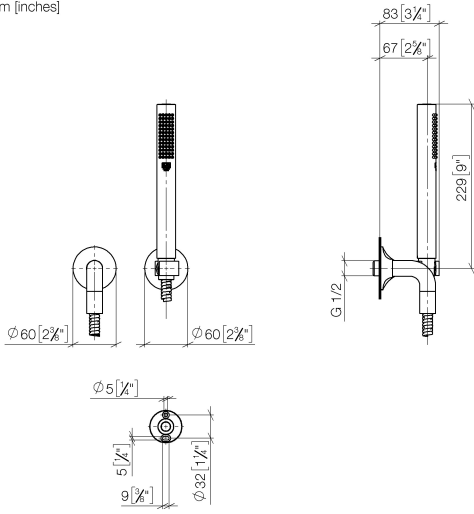
---

IMO

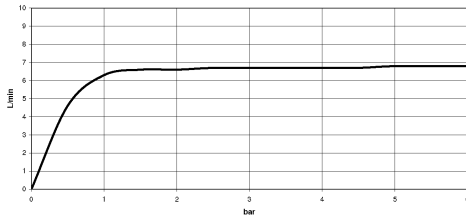
ST 050 407 2979

ST 050 407 2979

mm [inches]

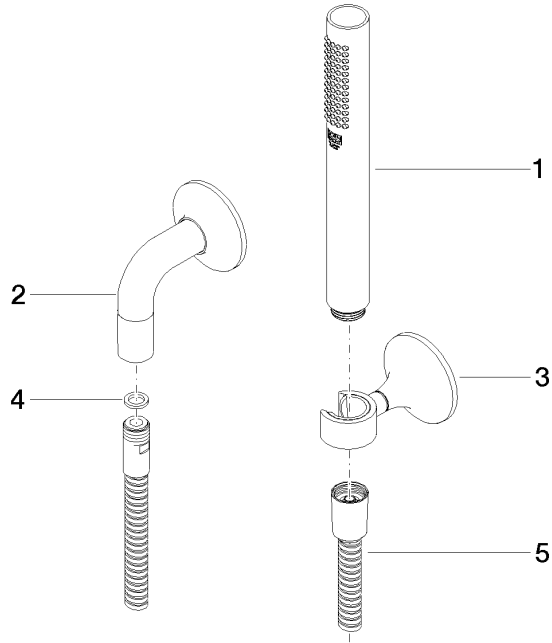


Flow rate chart





ST 050 407 2979



### Spare parts list

No.	Item Number	Name	Quantity used	Delivery time
1	90 12 11 140 30-06	shower	1	10
2	28 450 809-06	VAIA Wall elbow - Brushed Platinum	1	10
3	28 050 809-06	VAIA Wall bracket - Brushed Platinum	1	10
4	90 14 20 026 00 90	seal	1	2
5	90 30 02 072 00-06	Metal shower hose 1/2" x 3/8" x 1250 mm - Brushed Platinum	1	10