

Rainshower solution

ST 050 523 0782



	Dark Chrome	ST 050 523 0782-19 0010
	Chrome	ST 050 523 0782-00 0010
	Brushed Platinum	ST 050 523 0782-06 0010
	Platinum	ST 050 523 0782-08 0010
	Brushed Durabronze (23kt Gold)	ST 050 523 0782-28 0010
	Brushed Champagne (22kt Gold)	ST 050 523 0782-46 0010
	Champagne (22kt Gold)	ST 050 523 0782-47 0010
	Brushed Dark Platinum	ST 050 523 0782-99 0010

Individual components of this set

You need the following components for this set

	1x	35 085 970 90		1x	35 531 970 90
	1x	35 607 970 90		1x	35 042 970 90
	1x	12 380 970 90		1x	13 425 979-19
	1x	36 503 780-19		4x	36 607 782-19
	1x	27 808 980-19 0050		1x	28 042 980-19 0050



Rainshower solution

ST 050 523 0782

Rainshower solution

ST 050 523 0782



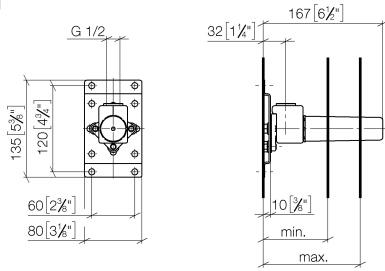
- red brass, lead-free
- female thread 1/2" connection
- 1x female thread 1/2" outlet
- dust cover
- anti-water packing
- soundproofing

For wall-mounted spouts and wall outlet elbows with 1/2" connection.

Rainshower solution

ST 050 523 0782

mm [inches]



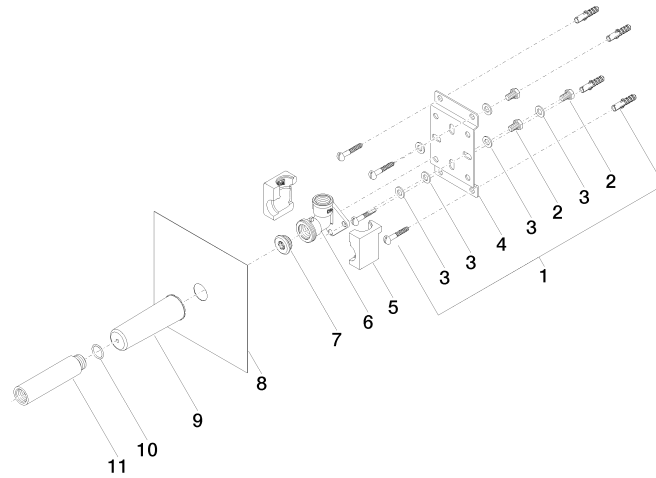
	min	max
CL_1	90 [3 1/2"]	163 [6 3/8"]
CL_2	68 [2 5/8"]	135 [5 3/8"]
Domicil	90 [3 1/2"]	163 [6 3/8"]
Gentle	90 [3 1/2"]	163 [6 3/8"]
IMO	90 [3 1/2"]	163 [6 3/8"]
Lissé	90 [3 1/2"]	163 [6 3/8"]
MEM	90 [3 1/2"]	163 [6 3/8"]
Symetrics	90 [3 1/2"]	163 [6 3/8"]
Vaia	90 [3 1/2"]	163 [6 3/8"]

Certificates

WRAS_1904021. LGA_29336.

Rainshower solution

ST 050 523 0782



Spare parts list

No.	Item Number	Name	Quantity used	Delivery time
1	04 30 31 024 01 90	fixing set	2	2
2	09 30 30 152 90	screw	3	2
3	09 30 11 139 90	disc	6	2
4	09 17 20 094 90	holder	1	2
5	09 11 11 036 90	accessories	1	2
6	09 11 03 041 10 90	connection	1	2
7	04 31 20 006 00 90	plug	1	2
8	04 14 03 072 01 90	gasket kit	1	2
9	09 21 02 102 90	cap	1	2
10	90 14 10 010 00 90	seal	1	2
11	09 24 03 169 10 90	adaptor	1	2

Rainshower solution

ST 050 523 0782



- red brass, lead-free
- 2x back flow preventer
- 2x female thread 3/4" connections
- 1x female thread 3/4" outlet for additional valves
- 3x female thread 3/4" outlet, right/left alternatively
- 4x dust cover
- 4x anti-water packing
- soundproofing
- gauge 120 mm
- suitable for xGRID (when using installation track + 12 mm recess depth)

Recommended miscellaneous

Extension 28 mm -

12 177 970 90



Recommended miscellaneous

Extension 46 mm -

12 178 970 90



Recommended miscellaneous

**xGRID Attachment set for
integrating in the dry wall
construction -**

12 340 970 90



Required miscellaneous

xGRID Installation track 555 mm - 12 360 970 90



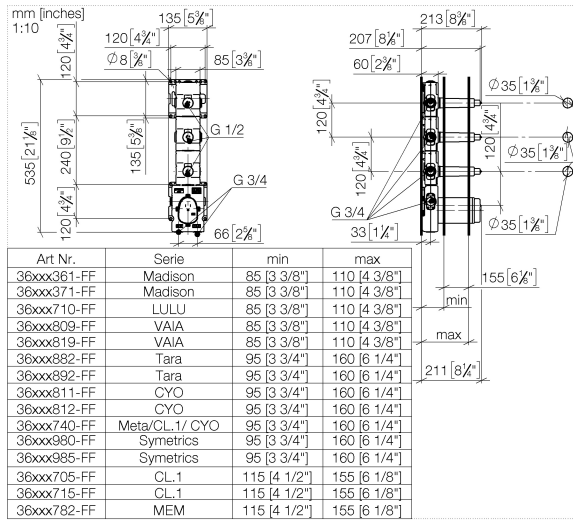


Rainshower solution

ST 050 523 0782

Rainshower solution

ST 050 523 0782

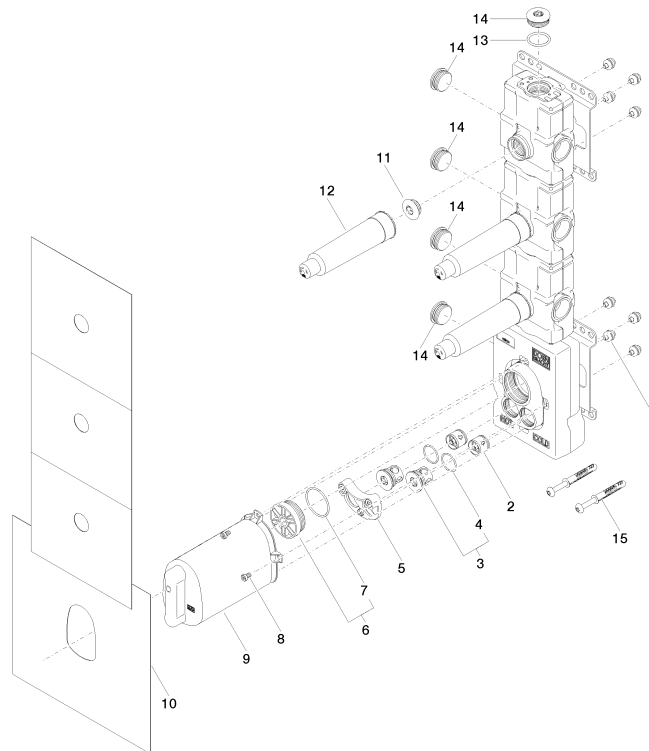


Certificates

Belgaqua_21-031- WRAS_2011026. ACS_21 ACC LY 141. DVGW_DW-6512DN0706.

Rainshower solution

ST 050 523 0782



Spare parts list

No.	Item Number	Name	Quantity used	Delivery time
1	90 23 01 091 00 90	set	8	2
2	90 23 01 045 00 90	back-flow preventer	2	2
3	04 21 34 077 00 90	nipple	2	2
4	09 14 10 098 90	seal	2	2
5	90 12 12 218 00 90	base	1	2
6	04 31 20 100 00 90	plug	1	2
7	09 14 10 111 90	seal	1	2
8	09 30 30 112 90	screw	4	2
9	04 21 02 174 01 90	cap	1	2
10	04 14 03 073 07 90	gasket kit	1	2
11	04 31 20 006 00 90	plug	3	2
12	09 21 02 173 90	cap	3	2
13	09 14 10 009 90	seal	1	2
14	09 31 20 003 90	plug	5	2
15	04 30 31 054 00 90	fixing set	2	2

Rainshower solution

ST 050 523 0782



- red brass, lead-free
- female thread 1/2" connection
- 1x female thread 1/2" outlet
- dust cover
- anti-water packing
- soundproofing
- suitable for xGRID (when using installation track + 12 mm recess depth)

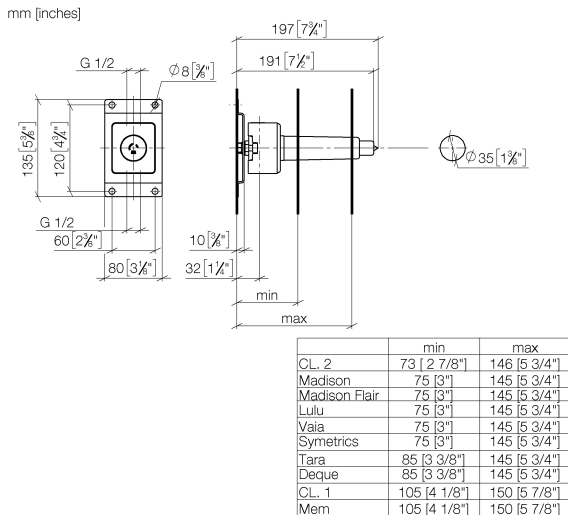


Rainshower solution

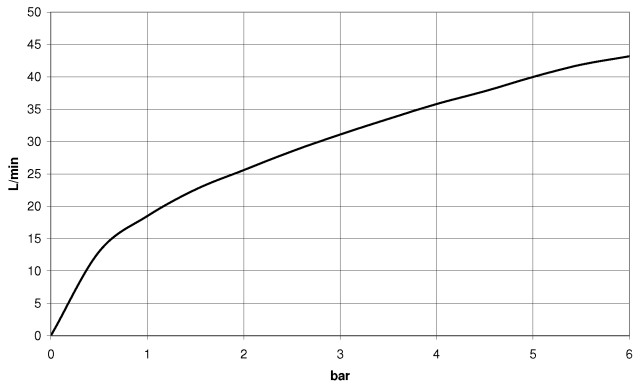
ST 050 523 0782

Rainshower solution

ST 050 523 0782



Flow rate chart



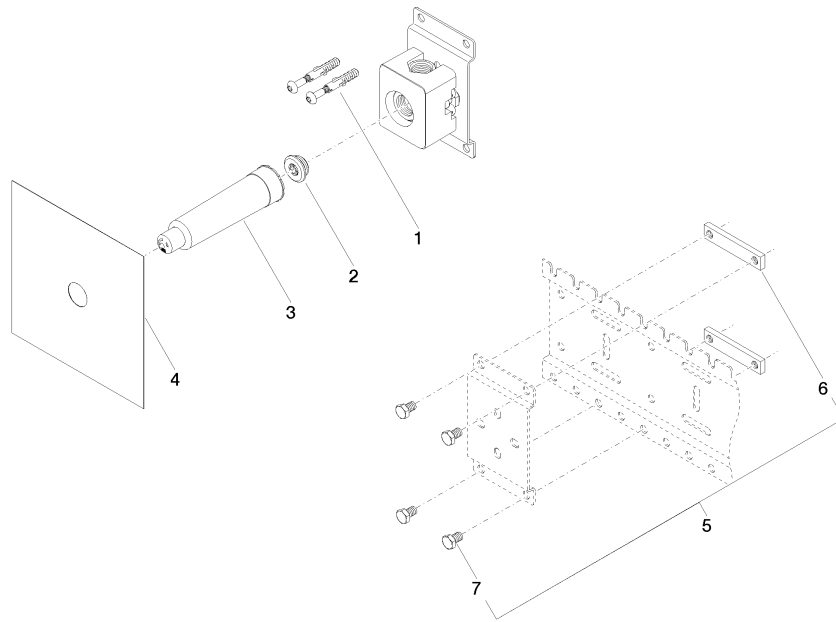
Certificates

DVGW_DW-
6501DN0116.

WRAS_2010066.

Rainshower solution

ST 050 523 0782



Spare parts list

No.	Item Number	Name	Quantity used	Delivery time
1	04 30 31 024 01 90	fixing set	2	2
2	04 31 20 006 00 90	plug	1	2
3	09 21 02 173 90	cap	1	2
4	04 14 03 072 01 90	gasket kit	1	2
5	04 17 20 100 00 90	fixing set	1	2
6	09 17 20 100 90	holder	2	2
7	09 30 30 152 90	screw	4	2

Rainshower solution

ST 050 523 0782



- concealed rough parts
- 2x female thread 1/2" connections
- Supply pipe 7 m
- Input 100-240V AC 50-60Hz
- Output 350 mA SELV / Class II
- Provided by customer: Light switch
- For simultaneous control of the jet types, we recommend the xTool thermostat module
- Not suitable for use in a steam room.



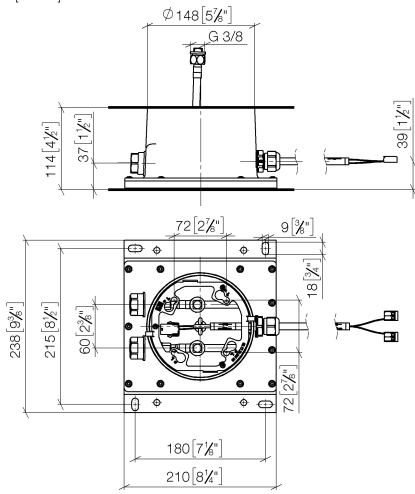
Rainshower solution

ST 050 523 0782

Rainshower solution

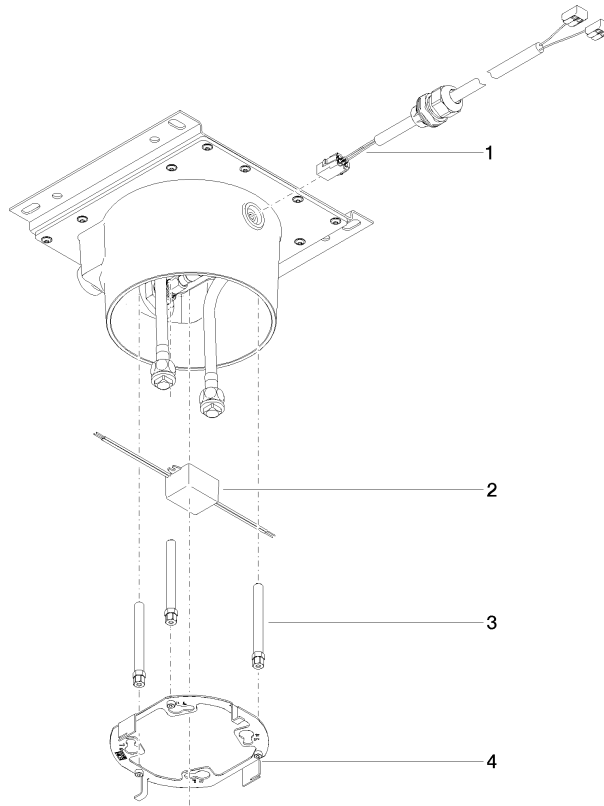
ST 050 523 0782

mm [inches]



Rainshower solution

ST 050 523 0782

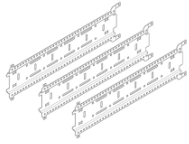


Spare parts list

No.	Item Number	Name	Quantity used	Delivery time
1	90 10 01 227 00 90	electronic accessories	1	2
2	90 10 01 257 00 90	electronic accessories	1	2
3	90 30 30 208 00 90	screw	1	2
4	90 17 20 239 00 90	flange	1	2

Rainshower solution

ST 050 523 0782



- width 555mm
- height 135 mm
- depth 12 mm
- retaining screws and plugs

This set contains 3 xGRID installation tracks and includes fixing material

More about the xGRID installation track can be found in the Shower Book brochure

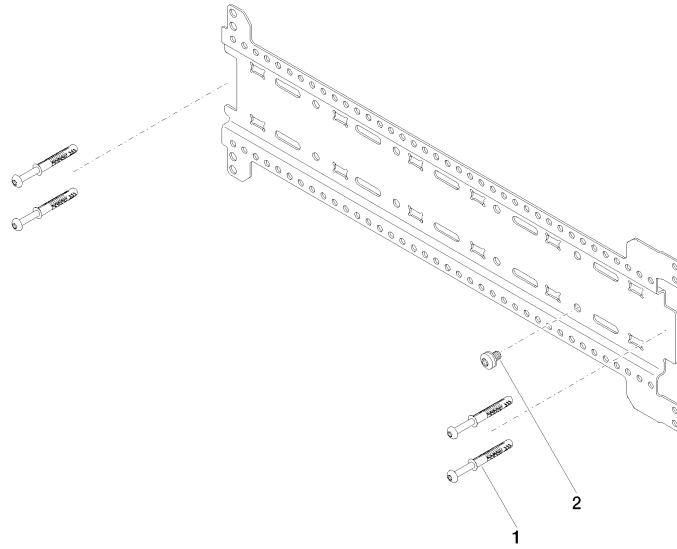


Rainshower solution

ST 050 523 0782

Rainshower solution

ST 050 523 0782



Spare parts list

No.	Item Number	Name	Quantity used	Delivery time
1	04 30 31 054 00 90	fixing set	6	2
2	04 30 30 212 00 90	fixing set	3	60

Rainshower solution

ST 050 523 0782



- 22mm projection
- PEARLSTREAM
- plate 240 mm x 60 mm
- connection 1/2", for shortening
- plug-link mounting
- Max. flow rate 9.5 l/min (at 3 bar)

Fits: IMO, LULU, MADISON, MEM, TARA, CL.1, LISSÉ, VAIA, META, CYO

	Dark Chrome	13 425 979-19
	Chrome	13 425 979-00
	Brushed Platinum	13 425 979-06
	Platinum	13 425 979-08
	Light Gold	13 425 979-26
	Brushed Light Gold	13 425 979-27
	Brushed Durabross (23kt Gold)	13 425 979-28
	Matte Black	13 425 979-33
	Brushed Bronze	13 425 979-42
	Brushed Champagne (22kt Gold)	13 425 979-46
	Champagne (22kt Gold)	13 425 979-47
	Brushed Chrome	13 425 979-93
	Brushed Dark Platinum	13 425 979-99

Recommended miscellaneous



- Concealed wall elbow -**
- max. recess depth 163 mm
 - min. recess depth 90 mm

35 085 970 90

Recommended miscellaneous



- Concealed wall elbow -**
- max. recess depth 163 mm
 - min. recess depth 90 mm

35 085 970 90



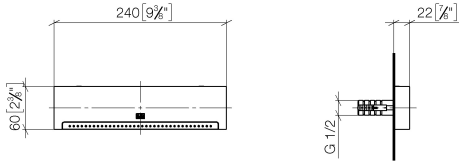
Rainshower solution

ST 050 523 0782

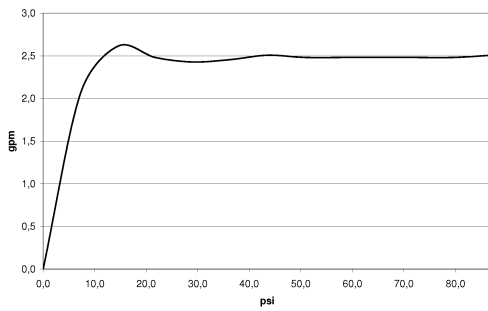
Rainshower solution

ST 050 523 0782

mm [inches]



Flow rate chart



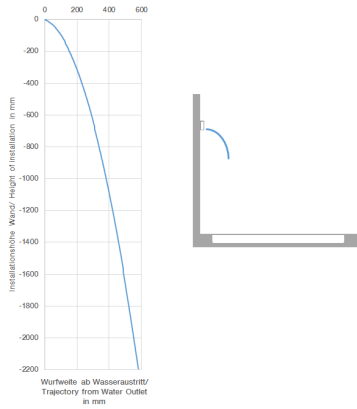
Certificates

LGA_19935.

Rainshower solution

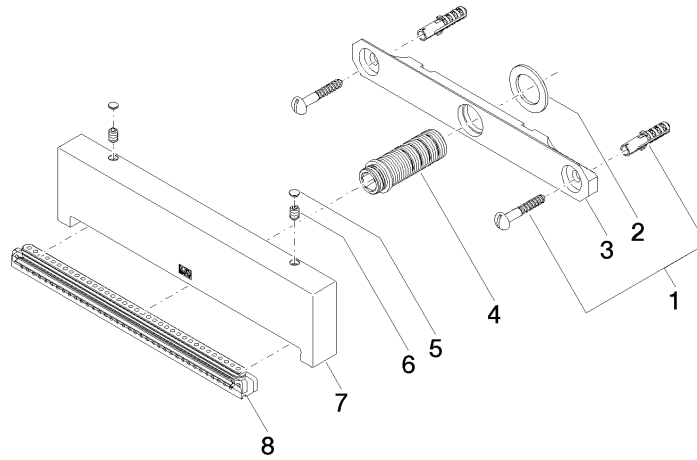
ST 050 523 0782

Trajectory diagram



Rainshower solution

ST 050 523 0782



Fits: IMO, MEM, CL.1, CYO

- cover plate 120 x 120 mm
- temperature control handle with safety limit stop at 38°C
- thermostat cartridge

	Dark Chrome	36 503 780-19
	Chrome	36 503 780-00
	Brushed Platinum	36 503 780-06
	Platinum	36 503 780-08
	Brushed Light Gold	36 503 780-27
	Brushed Durabronze (23kt Gold)	36 503 780-28
	Matte Black	36 503 780-33
	Brushed Champagne (22kt Gold)	36 503 780-46
	Champagne (22kt Gold)	36 503 780-47
	Brushed Chrome	36 503 780-93
	Brushed Dark Platinum	36 503 780-99



Rainshower solution

ST 050 523 0782

Rainshower solution

ST 050 523 0782

Required miscellaneous



xTOOL Concealed thermostat module without volume control - 35 503 970 90
●max. recess depth 155 mm
●min. recess depth 115 mm

Recommended miscellaneous



xGRID Attachment set for integrating in the dry wall construction - 12 340 970 90

Required miscellaneous



xGRID Installation track 555 mm - 12 360 970 90



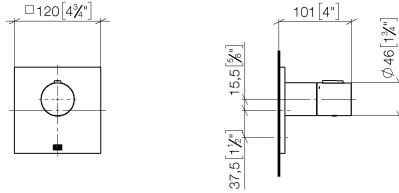
Rainshower solution

ST 050 523 0782

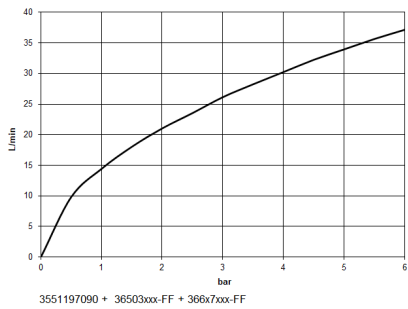
Rainshower solution

ST 050 523 0782

mm [inches]



Flow rate chart



Certificates

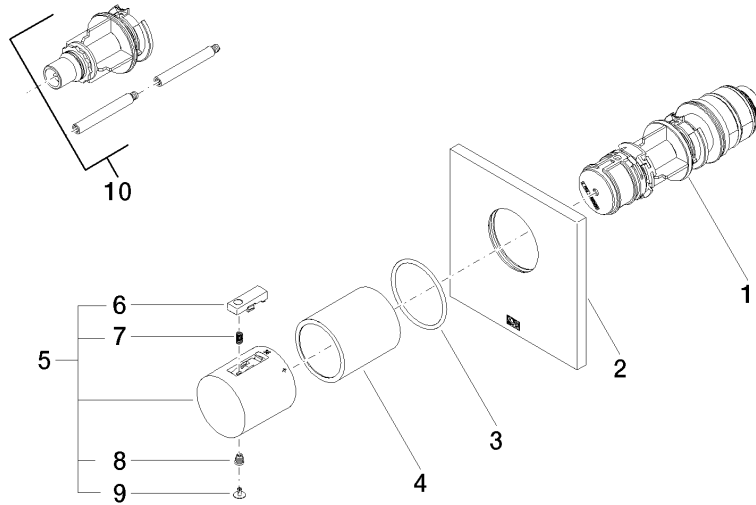
WRAS_2011026.

DVGW_DW-
6512DN0706.

LGA_29930.

Rainshower solution

ST 050 523 0782



- rosette 60 x 60 mm
- head part with cut-to-length spindle and sleeve



	Dark Chrome	36 607 782-19
	Chrome	36 607 782-00
	Brushed Platinum	36 607 782-06
	Platinum	36 607 782-08
	Brushed Durabronze (23kt Gold)	36 607 782-28
	Brushed Champagne (22kt Gold)	36 607 782-46
	Champagne (22kt Gold)	36 607 782-47
	Brushed Chrome	36 607 782-93
	Brushed Dark Platinum	36 607 782-99



Rainshower solution

ST 050 523 0782

Rainshower solution

ST 050 523 0782

Required miscellaneous



Wall valve 1/2" -

- max. recess depth 150 mm
- min. recess depth 105 mm

35 607 970 90



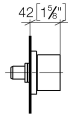
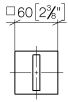
Rainshower solution

ST 050 523 0782

Rainshower solution

ST 050 523 0782

mm [inches]



Certificates

DVGW_DW-
6501DN0116.

WRAS_2011026.

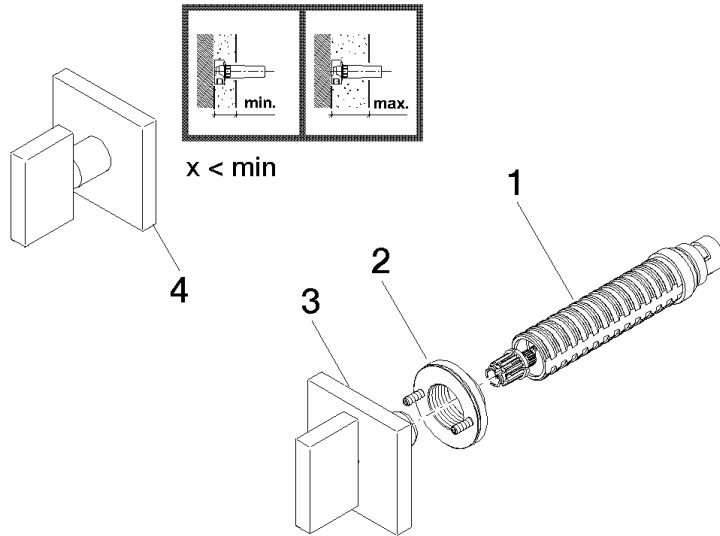
LGA_29931.

WRAS_2010066.

DVGW_DW-
6512DN0706.

Rainshower solution

ST 050 523 0782



Fits: IMO, MEM, CL.1, CYO

- COMPACT RAIN, max. flow rate 6.8 l/min (at 3 bar)
- with anti-scale system
- 3/8" shower outlet
- rosette for wall elbow 60 x 60mm
- rosette for shower holder 60 x 60mm
- metal shower hose 1250mm with integrated anti-twist protection
- 1/2" wall elbow
- This product can help a building meet the requirements of Green Building Rating Systems, e.g. LEED®, BREEAM®, DGNB

Intrinsic protection against back flow.

	Dark Chrome	27 808 980-19 0050
	Chrome	27 808 980-00 0050
	Brushed Platinum	27 808 980-06 0050
	Platinum	27 808 980-08 0050
	Brushed Light Gold	27 808 980-27 0050
	Brushed Light Gold	27 808 980-27
	Brushed Durabronze (23kt Gold)	27 808 980-28 0050
	Matte Black	27 808 980-33 0050
	Brushed Champagne (22kt Gold)	27 808 980-46 0050
	Champagne (22kt Gold)	27 808 980-47 0050
	Brushed Chrome	27 808 980-93 0050
	Brushed Dark Platinum	27 808 980-99 0050



Rainshower solution

ST 050 523 0782

Rainshower solution

ST 050 523 0782

Recommended miscellaneous



Concealed wall elbow -
●max. recess depth 163 mm
●min. recess depth 90 mm

35 085 970 90



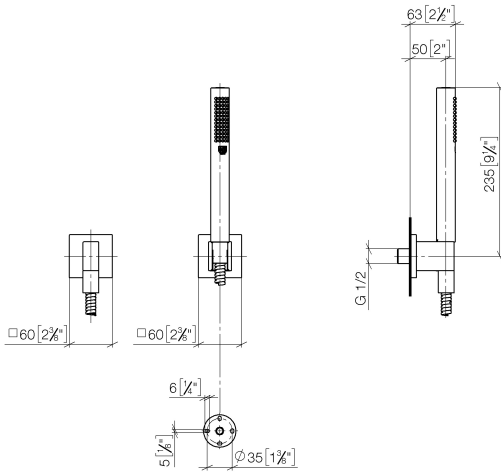
Rainshower solution

ST 050 523 0782

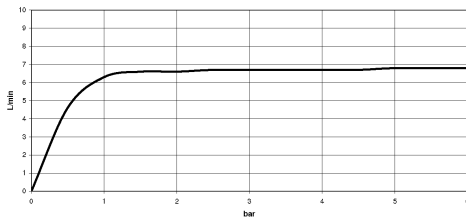
Rainshower solution

ST 050 523 0782

mm [inches]

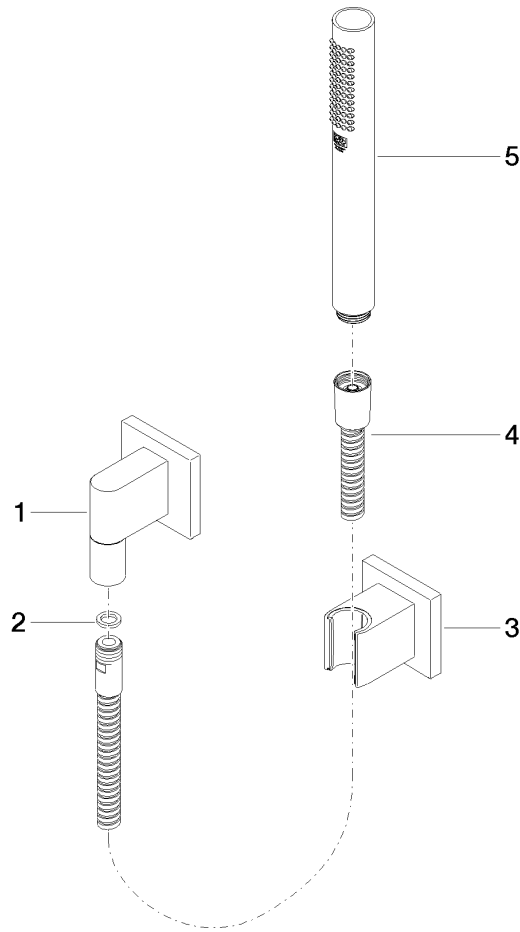


Flow rate chart



Rainshower solution

ST 050 523 0782



Fits: IMO, LULU, MEM, CL.1, CYO

- rain shower 300 x 240mm
- PURE RAIN, max. flow rate 6.8 l/min (at 3 bar)
- PURIFY RAIN, max. flow rate 6.8 l/min (at 3 bar)
- Distance to ceiling from bottom edge of shower 40 mm
- with anti-scale system
- central LED Spot 3000 K
- Provided by customer: Light switch
- For simultaneous control of the jet types, we recommend the xTool thermostat module
- Not suitable for use in a steam room.

Three-way diverter trim is sold separately includes light bulbs with a Class F energy efficiency

Three-way diverter trim is sold separately

includes light bulbs with a Class F energy efficiency

	Dark Chrome	28 042 980-19 0050
	Chrome	28 042 980-00 0050
	Brushed Platinum	28 042 980-06 0050
	Platinum	28 042 980-08 0050
	Brushed Durabronze (23kt Gold)	28 042 980-28 0050
	Matte Black	28 042 980-33 0050
	Brushed Champagne (22kt Gold)	28 042 980-46 0050
	Champagne (22kt Gold)	28 042 980-47 0050
	Brushed Chrome	28 042 980-93 0050
	Brushed Dark Platinum	28 042 980-99 0050



Rainshower solution

ST 050 523 0782

Rainshower solution

ST 050 523 0782

Required miscellaneous



Concealed ceiling installation box for surface-mounted ceiling installation with light - 35 042 970 90

- min. recess depth 90 mm
- max. recess depth 115 mm
- 2x female thread 1/2" connections
- Input 100-240V AC 50-60Hz
- concealed rough parts
- Output 350 mA SELV / Class II
- Provided by customer: Light switch

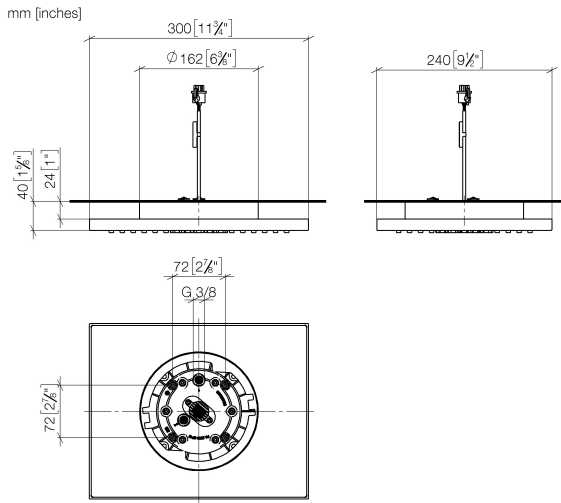


Rainshower solution

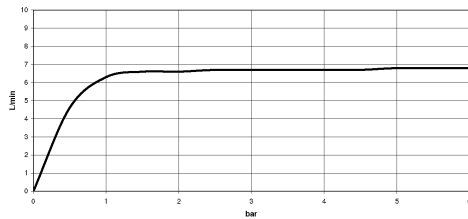
ST 050 523 0782

Rainshower solution

ST 050 523 0782



Flow rate chart



Spare parts list

No.	Item Number	Name	Quantity used	Delivery time
1	90 17 20 263 00 90	fixing set	1	2
2	90 24 03 309 02 90	connection	2	2
3	90 10 01 225 00 90	electronic accessories	1	2