



Massage Shower - Brushed Platinum

ST 050 601 00985



	Brushed Platinum	ST 050 601 00985-06 0050
	Chrome	ST 050 601 00985-00 0050

Individual components of this set

You need the following components for this set

	6x	35 206 970 90		2x	35 511 970 90
	1x	12 315 970 90		2x	12 320 970 90
	6x	36 517 979-06 0050		2x	36 501 985-06
	2x	36 607 985-06			



Massage Shower - Brushed Platinum

ST 050 601 00985

Massage Shower - Brushed Platinum

ST 050 601 00985

- female thread 1/2" connection
- dust cover
- anti-water packing



Recommended miscellaneous



**xGRID Attachment set for
integrating in the dry wall
construction -**

12 340 970 90

Required miscellaneous

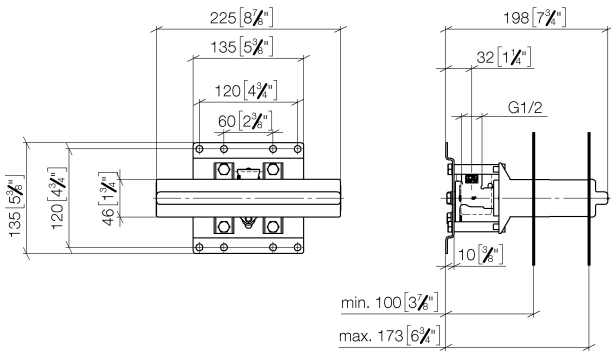


xGRID Installation track 555 mm - 12 360 970 90

Massage Shower - Brushed Platinum

ST 050 601 00985

mm [inches]

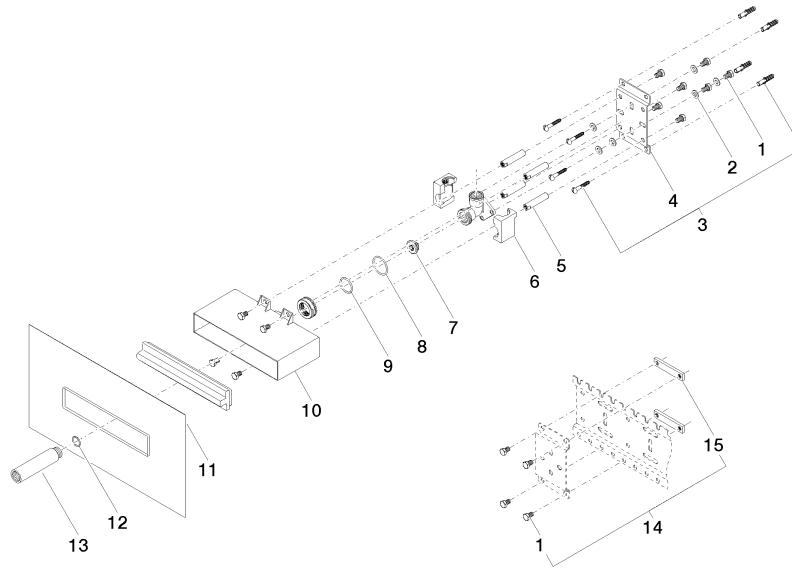


Certificates

WRAS_2106011. LGA_19489.

Massage Shower - Brushed Platinum

ST 050 601 00985



Spare parts list

No.	Item Number	Name	Quantity used	Delivery time
1	09 30 30 152 90	screw	15	2
2	09 30 11 139 90	disc	6	2
3	04 30 31 024 01 90	fixing set	2	2
4	09 17 20 094 90	holder	1	2
5	09 18 40 138 90	sleeve	1	60
6	09 11 11 036 90	accessories	1	2
7	04 31 20 006 00 90	plug	1	2
8	09 14 10 149 90	seal	1	2
9	09 14 10 118 90	seal	1	2
10	09 11 11 053 90	accessories	1	60
11	04 14 03 126 00 90	gasket kit	1	2
12	90 14 10 010 00 90	seal	1	2
13	09 24 03 169 10 90	adaptor	1	2
14	04 17 20 100 00 90	fixing set	1	2
15	09 17 20 100 90	holder	2	2

Massage Shower - Brushed Platinum

ST 050 601 00985



- red brass, lead-free
- 2x back flow preventer
- 2x female thread 3/4" connections
- 1x female thread 3/4" outlet for additional valves
- 1x female thread 3/4" outlet, right/left alternatively
- 2x dust cover
- 2x anti-water packing
- soundproofing
- gauge 120 mm
- suitable for xGRID (when using installation track + 12 mm recess depth)

Recommended miscellaneous

Extension 28 mm -

12 177 970 90



Recommended miscellaneous

Extension 46 mm -

12 178 970 90



Recommended miscellaneous

**xGRID Attachment set for
integrating in the dry wall
construction -**

12 340 970 90



Required miscellaneous

xGRID Installation track 555 mm - 12 360 970 90





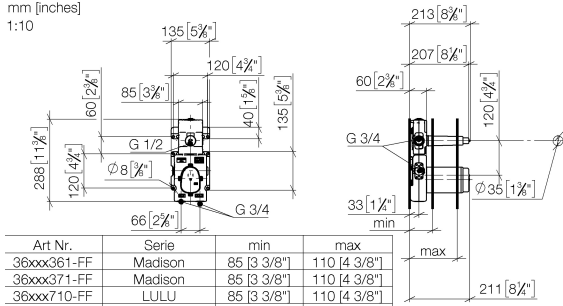
Massage Shower - Brushed Platinum

ST 050 601 00985

Massage Shower - Brushed Platinum

ST 050 601 00985

mm [inches]
1:10



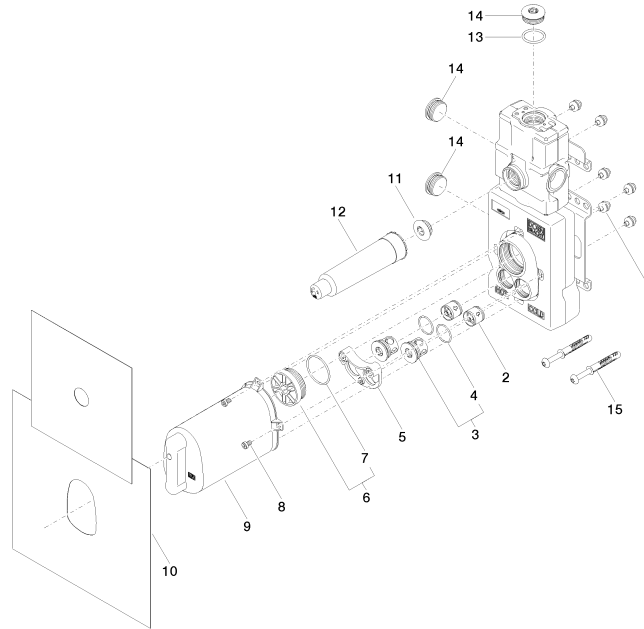
Art Nr.	Serie	min	max
36xxx361-FF	Madison	85 [3 3/8"]	110 [4 3/8"]
36xxx371-FF	Madison	85 [3 3/8"]	110 [4 3/8"]
36xxx710-FF	LULU	85 [3 3/8"]	110 [4 3/8"]
36xxx809-FF	VAlA	85 [3 3/8"]	110 [4 3/8"]
36xxx819-FF	VAlA	85 [3 3/8"]	110 [4 3/8"]
36xxx882-FF	Tara	95 [3 3/4"]	160 [6 1/4"]
36xxx892-FF	Tara	95 [3 3/4"]	160 [6 1/4"]
36xxx811-FF	CYO	95 [3 3/4"]	160 [6 1/4"]
36xxx812-FF	CYO	95 [3 3/4"]	160 [6 1/4"]
36xxx740-FF	Meta/CL.1/ CYO	95 [3 3/4"]	160 [6 1/4"]
36xxx980-FF	Symetrics	95 [3 3/4"]	160 [6 1/4"]
36xxx985-FF	Symetrics	95 [3 3/4"]	160 [6 1/4"]
36xxx705-FF	CL.1	115 [4 1/2"]	155 [6 1/8"]
36xxx715-FF	CL.1	115 [4 1/2"]	155 [6 1/8"]
36xxx782-FF	MEM	115 [4 1/2"]	155 [6 1/8"]

Certificates

Belgaqua_21-031- 27_6. WRAS_2011026. ACS_21 ACC LY 141. DVGW_DW-6512DN0706.

Massage Shower - Brushed Platinum

ST 050 601 00985

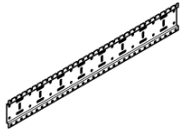


Spare parts list

No.	Item Number	Name	Quantity used	Delivery time
1	90 23 01 091 00 90	set	6	2
2	90 23 01 045 00 90	back-flow preventer	2	2
3	04 21 34 077 00 90	nipple	2	2
4	09 14 10 098 90	seal	2	2
5	90 12 12 218 00 90	base	1	2
6	04 31 20 100 00 90	plug	1	2
7	09 14 10 111 90	seal	1	2
8	09 30 30 112 90	screw	4	2
9	04 21 02 174 01 90	cap	1	2
10	04 14 03 073 05 90	gasket kit	1	2
11	04 31 20 006 00 90	plug	1	2
12	09 21 02 173 90	cap	1	2
13	09 14 10 009 90	seal	1	2
14	09 31 20 003 90	plug	3	2
15	04 30 31 054 00 90	fixing set	2	2

Massage Shower - Brushed Platinum

ST 050 601 00985



- width 750mm
- height 135 mm
- depth 12 mm
- retaining screws and plugs

More information about the xGRID installation track can be found in the planning appendix to the SYMETRICS brochure.



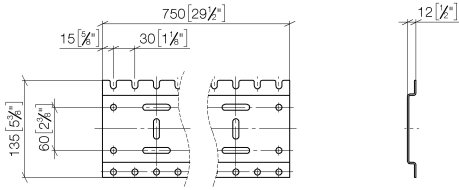
Massage Shower - Brushed Platinum

ST 050 601 00985

Massage Shower - Brushed Platinum

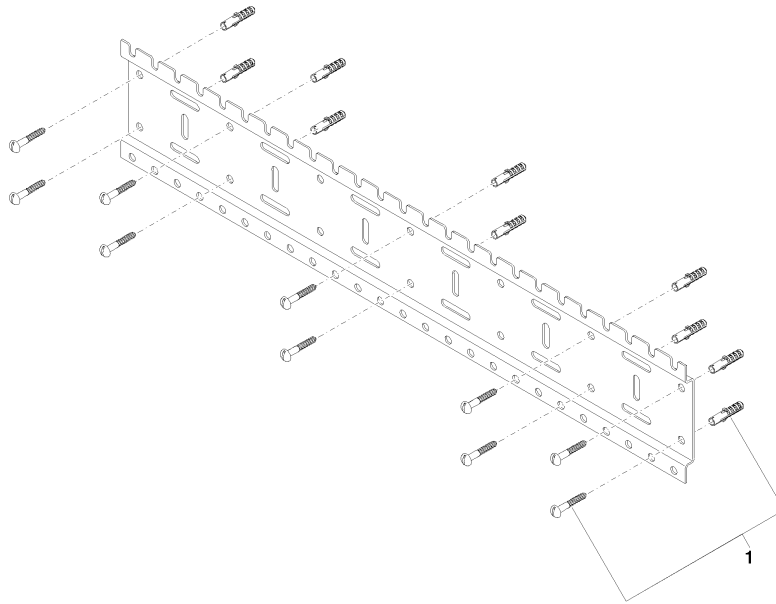
ST 050 601 00985

mm [inches]



Massage Shower - Brushed Platinum

ST 050 601 00985



Spare parts list

No.	Item Number	Name	Quantity used	Delivery time
1	04 30 31 024 01 90	fixing set	1	2

Massage Shower - Brushed Platinum

ST 050 601 00985



- width 990mm
- height 135 mm
- depth 12 mm
- retaining screws and plugs

More information about the xGRID installation track can be found in the planning appendix to the SYMETRICS brochure.



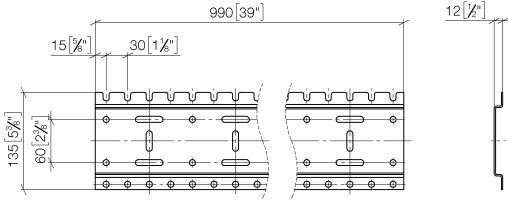
Massage Shower - Brushed Platinum

ST 050 601 00985

Massage Shower - Brushed Platinum

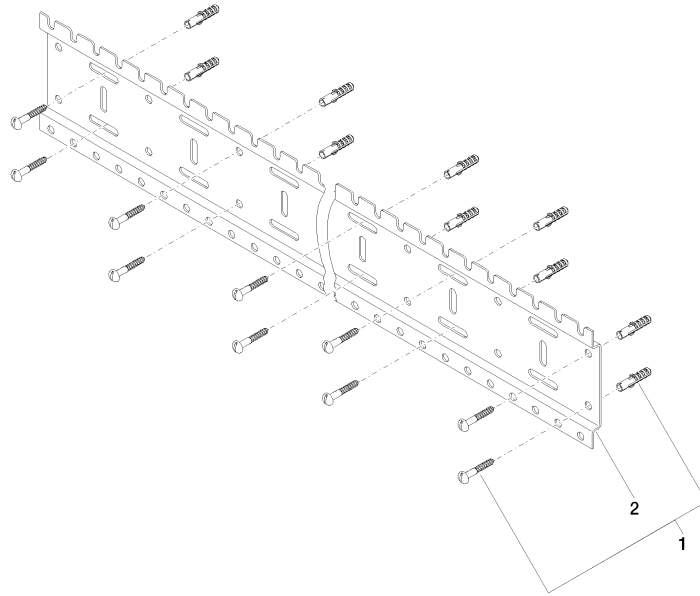
ST 050 601 00985

mm [inches]



Massage Shower - Brushed Platinum

ST 050 601 00985



Spare parts list

No.	Item Number	Name	Quantity used	Delivery time
1	04 30 31 024 01 90	fixing set	6	2


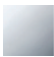
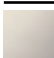










Massage Shower - Brushed Platinum

ST 050 601 00985



- HORIZONTAL RAIN, max. flow rate 6 l/min (at 3 bar)
- with anti-scale system
- cover plate 240 x 60 mm
- 1/2" connection
- This product can help a building meet the requirements of Green Building Rating Systems, e.g. LEED®, BREEAM®, DGNB

Fits: IMO, LULU, MADISON, MEM, TARA, CL.1, LISSÉ, VAIA, META, CYO

	Brushed Platinum	36 517 979-06 0050
	Chrome	36 517 979-00 0050
	Platinum	36 517 979-08 0050
	Dark Chrome	36 517 979-19 0050
	Light Gold	36 517 979-26 0050
	Brushed Light Gold	36 517 979-27 0050
	Brushed Durabross (23kt Gold)	36 517 979-28 0050
	Matte Black	36 517 979-33 0050
	Brushed Bronze	36 517 979-42 0050
	Brushed Champagne (22kt Gold)	36 517 979-46 0050
	Champagne (22kt Gold)	36 517 979-47 0050
	Brushed Chrome	36 517 979-93 0050
	Brushed Dark Platinum	36 517 979-99 0050

Required miscellaneous



- Concealed wall installation box -** 35 206 970 90
- max. recess depth 173 mm
 - min. recess depth 100 mm

Recommended miscellaneous



- xGRID Attachment set for integrating in the dry wall construction -** 12 340 970 90

Required miscellaneous



- xGRID Installation track 555 mm -** 12 360 970 90



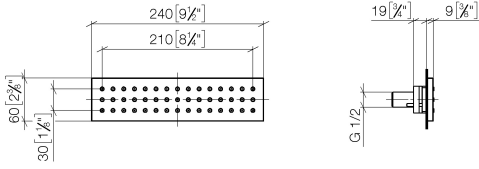
Massage Shower - Brushed Platinum

ST 050 601 00985

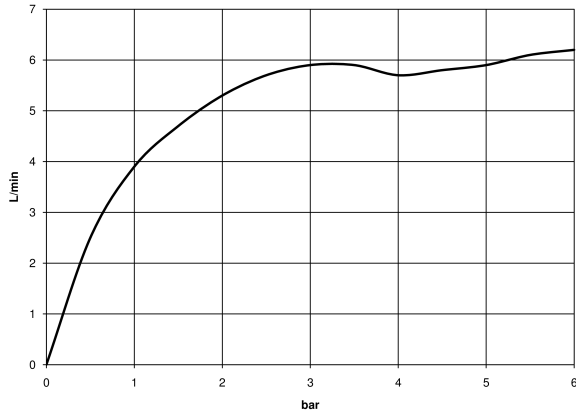
Massage Shower - Brushed Platinum

ST 050 601 00985

mm [inches]

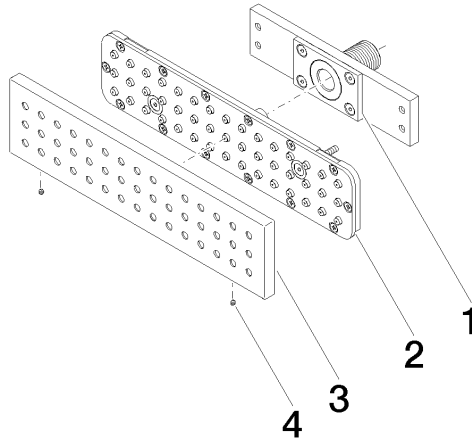


Flow rate chart



Massage Shower - Brushed Platinum

ST 050 601 00985



Spare parts list

No.	Item Number	Name	Quantity used	Delivery time
1	90 11 02 137 00 90	connection	1	2
2	90 11 02 332 00-00	insert	1	10
3	09 27 99 001-06	rosette	1	10
4	09 31 11 081 90	pin	1	2

Massage Shower - Brushed Platinum

ST 050 601 00985



- cover plate 120 x 120 mm
- temperature control handle with safety limit stop at 38°C
- thermostat cartridge

Fits: IMO, MEM, CL.1, CYO

	Brushed Platinum	36 501 985-06
	Chrome	36 501 985-00
	Platinum	36 501 985-08
	Dark Chrome	36 501 985-19
	Brushed Light Gold	36 501 985-27
	Brushed Durabrass (23kt Gold)	36 501 985-28
	Matte Black	36 501 985-33
	Brushed Champagne (22kt Gold)	36 501 985-46
	Champagne (22kt Gold)	36 501 985-47
	Brushed Chrome	36 501 985-93
	Brushed Dark Platinum	36 501 985-99

Required miscellaneous



xTOOL Concealed thermostat module without volume control - 35 503 970 90

- max. recess depth 160 mm
- min. recess depth 95 mm

Recommended miscellaneous



xGRID Attachment set for integrating in the dry wall construction - 12 340 970 90

Required miscellaneous



xGRID Installation track 555 mm - 12 360 970 90



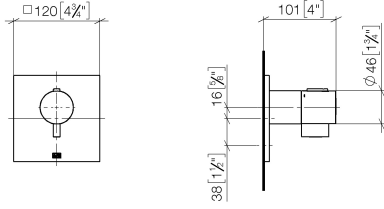
Massage Shower - Brushed Platinum

ST 050 601 00985

Massage Shower - Brushed Platinum

ST 050 601 00985

mm [inches]



Certificates

WRAS_2011026.

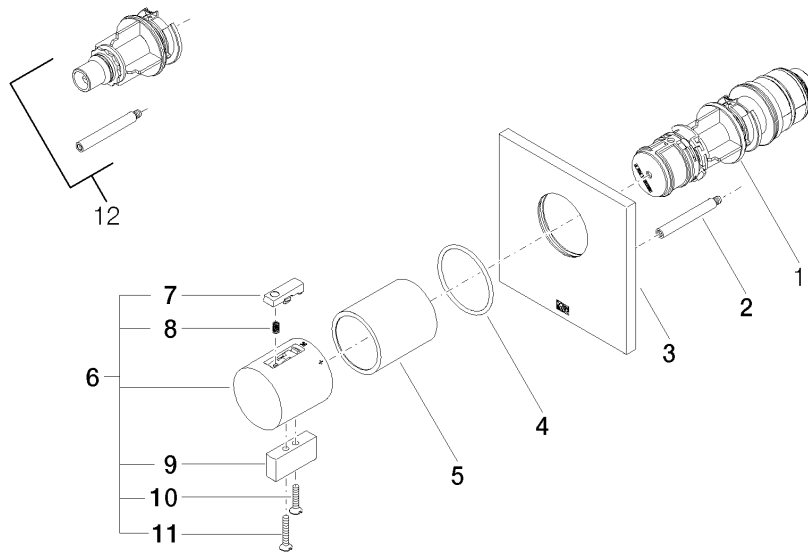
DVGW_DW-
6512DN0706.

LGA_29930.

LGA_29932.

Massage Shower - Brushed Platinum

ST 050 601 00985



Spare parts list


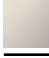



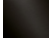
No.	Item Number	Name	Quantity used	Delivery time
1	90 15 02 063 00 90	cartridge	1	2
2	90 31 09 095 00 90	bar	1	2
3	09 11 02 196-06	cover	1	60
4	90 14 10 049 00 90	seal	1	2
5	90 21 02 112 00-06	sleeve	1	10
6	04 17 33 006 00-06	handle	1	60
7	90 21 33 011 00-13	handle	1	2
8	90 16 02 027 00 90	spring	1	2
9	09 20 33 006-06	handle	1	10
10	09 30 30 159-06	screw	1	10
11	09 30 30 160-06	screw	1	10
12	12 178 970 90	Extension 46 mm -	1	2

Massage Shower - Brushed Platinum

ST 050 601 00985



- rosette 60 x 60 mm
- head part with cut-to-length spindle and sleeve

	Brushed Platinum	36 607 985-06
	Chrome	36 607 985-00
	Platinum	36 607 985-08
	Brushed Light Gold	36 607 985-27
	Brushed Durabronze (23kt Gold)	36 607 985-28
	Brushed Chrome	36 607 985-93
	Brushed Dark Platinum	36 607 985-99

Required miscellaneous



Wall valve 1/2" -

- max. recess depth 145 mm
- min. recess depth 75 mm

35 607 970 90



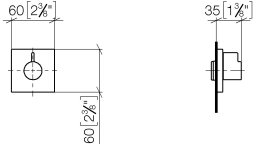
Massage Shower - Brushed Platinum

ST 050 601 00985

Massage Shower - Brushed Platinum

ST 050 601 00985

mm [inches]



Certificates

DVGW_DW-
6501DN0116.

WRAS_2011026.

IAPMO_4976 (1).

LGA_29931.

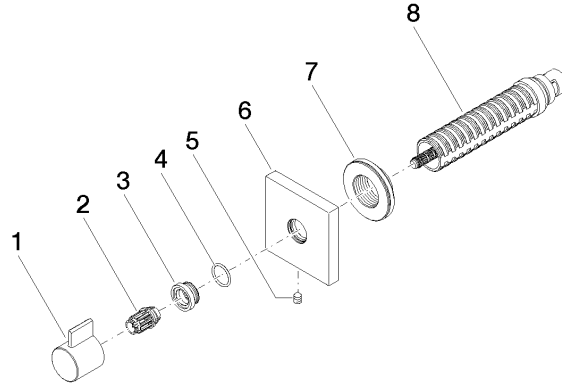
WRAS_2010066.

DVGW_DW-
6512DN0706.

LGA_29932.

Massage Shower - Brushed Platinum

ST 050 601 00985



Spare parts list

No.	Item Number	Name	Quantity used	Delivery time
1	09 20 98 002-06	handle	1	10
2	09 12 12 005 90	fixing cap	1	2
3	09 12 12 043-06	base	1	10
4	09 14 10 017 90	seal	1	2
5	90 31 11 004 00 90	pin	1	2
6	09 27 98 014-06	rosette	1	10
7	09 21 02 151 90	sleeve	1	2
8	90 90 03 202 00 90	top	1	2