

ST 110 202 3809

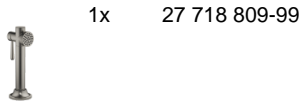


- 241mm projection
- pivotable spout 360°
- air-enriched flow and spray flow
- fabric braided hose 1500 mm
- automatic spout/shower diverter
- sprayface with anti-scaling system
- max. flow 7 l/min at 3 bar flow pressure
- lead-free
- This product can help a building meet the requirements of Green Building Rating Systems, e.g. LEED®, BREEAM®, DGNB

	Brushed Dark Platinum	ST 110 202 3809-99
	Chrome	ST 110 202 3809-00
	Brushed Platinum	ST 110 202 3809-06
	Platinum	ST 110 202 3809-08
	Durabronze (23kt Gold)	ST 110 202 3809-09
	Dark Chrome	ST 110 202 3809-19
	Brushed Durabronze (23kt Gold)	ST 110 202 3809-28
	Matte Black	ST 110 202 3809-33
	Brushed Champagne (22kt Gold)	ST 110 202 3809-46
	Champagne (22kt Gold)	ST 110 202 3809-47
	Brushed Chrome	ST 110 202 3809-93

Individual components of this set

You need the following components for this set





VAIA Two-hole bridge mixer with rinsing spray set - Brushed Dark Platinum

VAIA

ST 110 202 3809

ST 110 202 3809




- with round rosette
- spray flow
- automatic spout/shower diverter
- height of mixer 171 mm
- hole diameter rinsing spray 32mm
- fabric braided hose 1500 mm
- sprayface with anti-scaling system
- lead-free
- This product can help a building meet the requirements of Green Building Rating Systems, e.g. LEED®, BREEAM®, DGNB

Can only be combined with 33810809, 33826809, 19815809, 19825809.

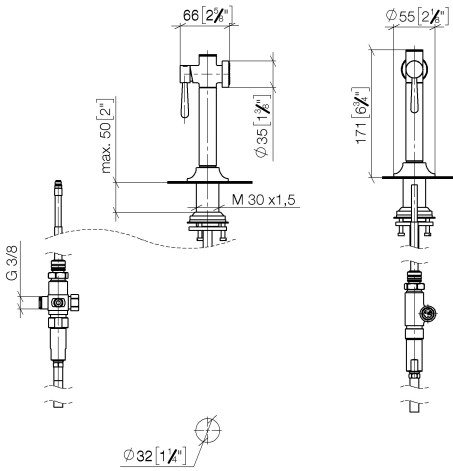
Intrinsic protection against back flow.

Residual water may emerge from the spray after closing.

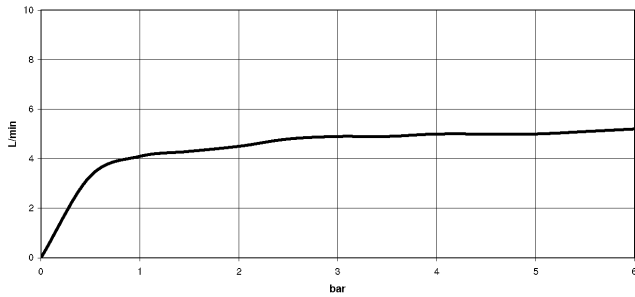
	Brushed Dark Platinum	27 718 809-99
	Chrome	27 718 809-00
	Brushed Platinum	27 718 809-06
	Platinum	27 718 809-08
	Durabrand (23kt Gold)	27 718 809-09
	Dark Chrome	27 718 809-19
	Brushed Durabrand (23kt Gold)	27 718 809-28
	Matte Black	27 718 809-33
	Brushed Champagne (22kt Gold)	27 718 809-46
	Champagne (22kt Gold)	27 718 809-47
	Brushed Chrome	27 718 809-93

ST 110 202 3809

mm [inches]



Flow rate chart

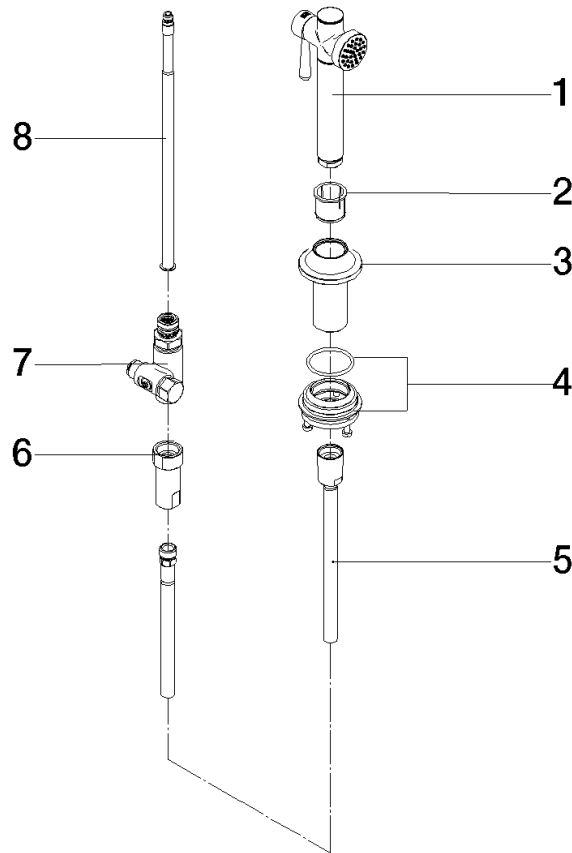


Certificates

LGA_38634.

ST 110 202 3809

Parts for other finishes can be found here: [Chrome](#)



Spare parts list

No.	Item Number	Name	Quantity used	Delivery time
1	90 12 11 096 12-99	shower	1	-
Spare part can no longer be ordered, please order the replacement item				
2	90 18 40 085 00 90	sleeve	1	2
3	90 30 01 142 00-99	shaft	1	-
Spare part can no longer be ordered, please order the replacement item				
4	04 23 10 047 00 92	fixing set	1	60
5	90 30 02 062 00-99	hose	1	30
6	90 24 03 241 00 90	nipple	1	2
7	90 17 09 046 12 90	diverter	1	2
8	90 28 20 068 00 90	connection	1	2

ST 110 202 3809



- 241mm projection
- pivotable spout 360°
- air-enriched flow
- max. flow 7 l/min at 3 bar flow pressure
- lead-free
- This product can help a building meet the requirements of Green Building Rating Systems, e.g. LEED®, BREEAM®, DGNB

	Brushed Dark Platinum	19 825 809-99
	Chrome	19 825 809-00
	Brushed Platinum	19 825 809-06
	Platinum	19 825 809-08
	Durabronze (23kt Gold)	19 825 809-09
	Dark Chrome	19 825 809-19
	Brushed Durabronze (23kt Gold)	19 825 809-28
	Matte Black	19 825 809-33
	Brushed Champagne (22kt Gold)	19 825 809-46
	Champagne (22kt Gold)	19 825 809-47
	Brushed Chrome	19 825 809-93

Recommended miscellaneous

VAIA Dispenser with rosette - Brushed Dark Platinum 82 434 809-99



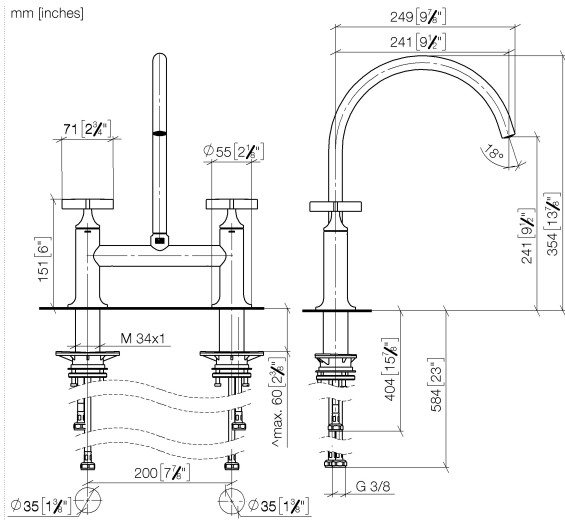


VAIA Two-hole bridge mixer with rinsing spray set - Brushed Dark Platinum

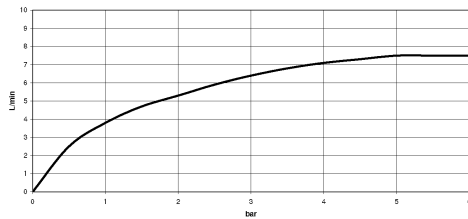
VAIA

ST 110 202 3809

ST 110 202 3809



Flow rate chart

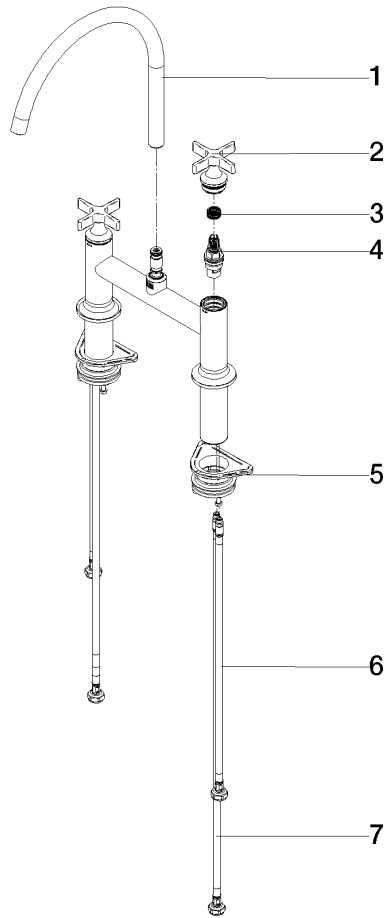


Certificates

LGA_38632.

ST 110 202 3809

Parts for other finishes can be found here: [Chrome](#)



Spare parts list

No.	Item Number	Name	Quantity used	Delivery time
1	90 28 22 396 00-99	spout	1	-
Spare part can no longer be ordered, please order the replacement item				
2	90 20 80 036 00-99	handle	2	-
Spare part can no longer be ordered, please order the replacement item				
3	90 12 12 232 00 90	fixing cap	2	2
4	90 90 03 131 00 90	top	2	2
5	04 30 11 040 00 90	fixing set	2	2
6	04 30 04 100 00 90	hose	2	2
7	04 30 04 101 00 90	hose	2	2