

ST 110 202 6809



- 241mm projection
- pivotable spout 360°
- air-enriched flow and spray flow
- fabric braided hose 1500 mm
- automatic spout/shower diverter
- sprayface with anti-scaling system
- max. flow 7 l/min at 3 bar flow pressure
- lead-free
- This product can help a building meet the requirements of Green Building Rating Systems, e.g. LEED®, BREEAM®, DGNB

	Brushed Platinum	ST 110 202 6809-06
	Chrome	ST 110 202 6809-00
	Platinum	ST 110 202 6809-08
	Durabress (23kt Gold)	ST 110 202 6809-09
	Dark Chrome	ST 110 202 6809-19
	Brushed Durabress (23kt Gold)	ST 110 202 6809-28
	Matte Black	ST 110 202 6809-33
	Brushed Champagne (22kt Gold)	ST 110 202 6809-46
	Champagne (22kt Gold)	ST 110 202 6809-47
	Brushed Chrome	ST 110 202 6809-93
	Brushed Dark Platinum	ST 110 202 6809-99

Individual components of this set

You need the following components for this set



1x 19 815 809-06



1x 27 731 809-06



## VAIA Two-hole bridge mixer with rinsing spray set - Brushed Platinum

---

VAIA

ST 110 202 6809

ST 110 202 6809



- 241mm projection
- pivotable spout 360°
- air-enriched flow
- max. flow 7 l/min at 3 bar flow pressure
- lead-free
- This product can help a building meet the requirements of Green Building Rating Systems, e.g. LEED®, BREEAM®, DGNB

	Brushed Platinum	19 815 809-06
	Chrome	19 815 809-00
	Platinum	19 815 809-08
	Durabress (23kt Gold)	19 815 809-09
	Dark Chrome	19 815 809-19
	Brushed Durabress (23kt Gold)	19 815 809-28
	Matte Black	19 815 809-33
	Brushed Champagne (22kt Gold)	19 815 809-46
	Champagne (22kt Gold)	19 815 809-47
	Brushed Chrome	19 815 809-93
	Brushed Dark Platinum	19 815 809-99

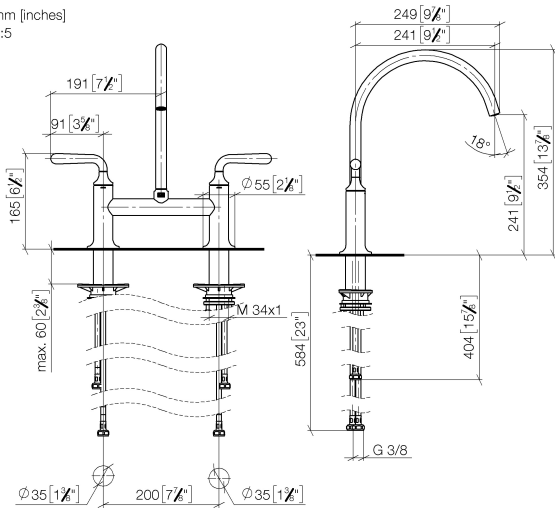
**Recommended miscellaneous**

**VAIA Dispenser with rosette - Brushed Platinum** 82 434 809-06

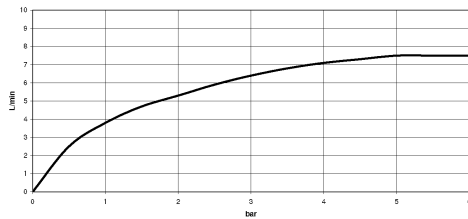


ST 110 202 6809

mm [inches]  
1:5



**Flow rate chart**

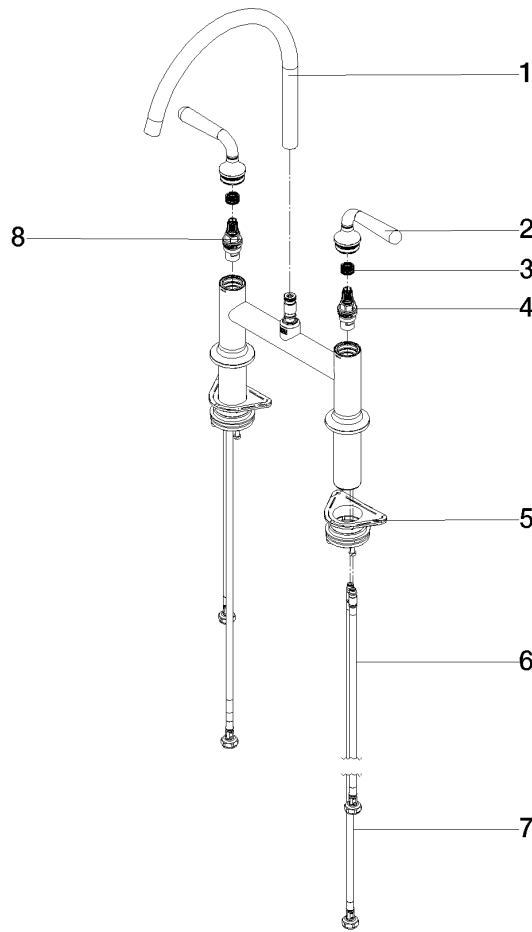


**Certificates**

LGA\_38632.

ST 110 202 6809

Parts for other finishes can be found here: [Chrome](#)



**Spare parts list**

No.	Item Number	Name	Quantity used	Delivery time
1	90 28 22 396 00-06	spout	1	-
Spare part can no longer be ordered, please order the replacement item				
2	90 20 80 057 00-06	handle	2	-
Spare part can no longer be ordered, please order the replacement item				
3	90 12 12 232 00 90	fixing cap	2	2
4	90 90 03 130 00 90	top	1	2
5	04 30 11 040 00 90	fixing set	2	2
6	04 30 04 100 00 90	hose	2	2
7	04 30 04 101 00 90	hose	2	2
8	90 90 03 131 00 90	top	1	2

ST 110 202 6809



- with round rosette
- spray flow
- automatic spout/shower diverter
- height of mixer 202 mm
- hole diameter rinsing spray 32mm
- fabric braided hose 1500 mm
- sprayface with anti-scaling system
- lead-free

Can only be combined with 33810809, 33826809, 19815809, 19825809.

Intrinsic protection against back flow.

Residual water may emerge from the spray after closing.

Operating unit can be positioned freely.

	Brushed Platinum	27 731 809-06
	Chrome	27 731 809-00
	Platinum	27 731 809-08
	Durabrand (23kt Gold)	27 731 809-09
	Dark Chrome	27 731 809-19
	Brushed Durabrand (23kt Gold)	27 731 809-28
	Matte Black	27 731 809-33
	Brushed Champagne (22kt Gold)	27 731 809-46
	Champagne (22kt Gold)	27 731 809-47
	Brushed Chrome	27 731 809-93
	Brushed Dark Platinum	27 731 809-99



## VAIA Two-hole bridge mixer with rinsing spray set - Brushed Platinum

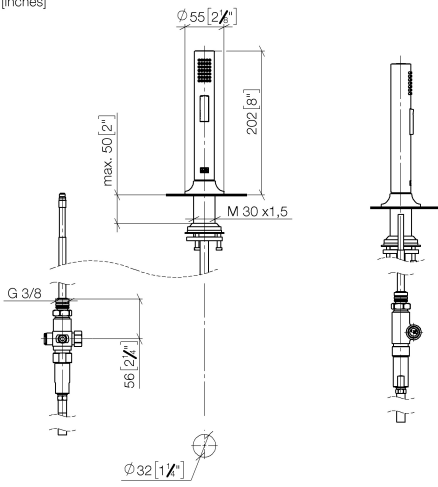
---

VAIA

ST 110 202 6809

ST 110 202 6809

mm [inches]



Certificates

Belgaqua\_24-005-  
27\_3.





## VAIA Two-hole bridge mixer with rinsing spray set - Brushed Platinum

---

VAIA

ST 110 202 6809



## VAIA Two-hole bridge mixer with rinsing spray set - Brushed Platinum

---

VAIA

ST 110 202 6809



## VAIA Two-hole bridge mixer with rinsing spray set - Brushed Platinum

---

VAIA

ST 110 202 6809