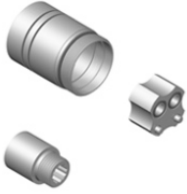




## Extension 20 mm -

---

12 070 970 90





## Extension 20 mm -

---

12 070 970 90

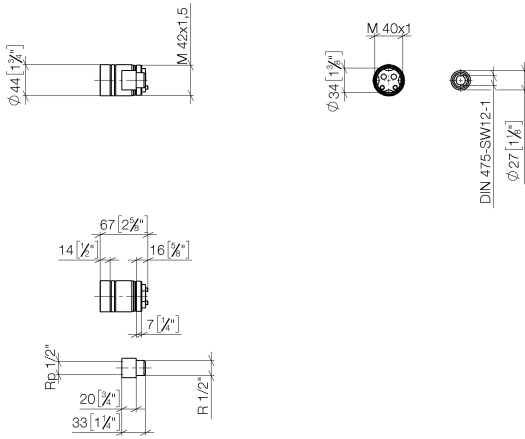


## Extension 20 mm -

---

12 070 970 90

mm [inches]



## Codes & Standards

---

NSF372

## Certificates

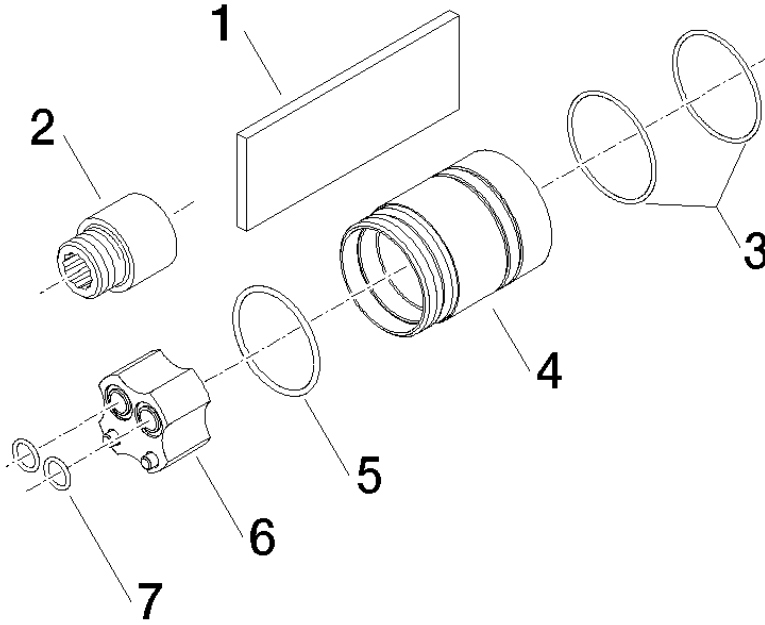
---

IAPMO\_6

Extension 20 mm -

---

12 070 970 90





## Extension 20 mm -

---

12 070 970 90

### Spare parts list

No.	Item Number	Name	Quantity used	Delivery time
	09 24 03 072 10 90	nipple	6	2