

12 660 979



Fits: IMO, LULU, MADISON, MEM, TARA, CL.1, LISSÉ, VAIA, META, CYO

- cover plate 150 x 240 x 15 mm
- flush handle with rotary operation and two-volume technology (full flush/partial flush)

This product is compatible with the following TECE products:

- TECEprofil dry wall construction, article numbers: 9300300, 9300322, 9300301, 9300344, 9300309, 9300303, 9300388, 9300366, 9300102, 9300103
- TECEbox wet wall construction, article numbers: 9370300, 9375300, 9371300

| | | |
|---|--------------------------------|---------------|
|  | Matte Black | 12 660 979-33 |
|  | Chrome | 12 660 979-00 |
|  | Brushed Platinum | 12 660 979-06 |
|  | Platinum | 12 660 979-08 |
|  | Dark Chrome | 12 660 979-19 |
|  | Light Gold | 12 660 979-26 |
|  | Brushed Light Gold | 12 660 979-27 |
|  | Brushed Durabronze (23kt Gold) | 12 660 979-28 |
|  | Brushed Bronze | 12 660 979-42 |
|  | Brushed Champagne (22kt Gold) | 12 660 979-46 |
|  | Champagne (22kt Gold) | 12 660 979-47 |
|  | Brushed Chrome | 12 660 979-93 |
|  | Brushed Dark Platinum | 12 660 979-99 |

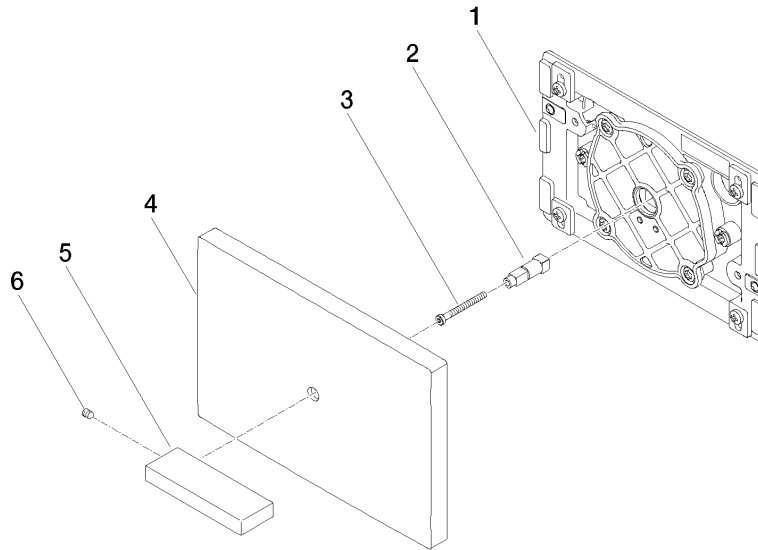
12 660 979

mm [inches]



12 660 979

Parts for other finishes can be found here: [Chrome](#)



Spare parts list

| No. | Item Number | Name | Quantity used | Delivery time |
|--|--------------------|--------|---------------|---------------|
| 1 | 04 28 01 053 00 90 | plate | 1 | 2 |
| 2 | 09 18 20 038 90 | base | 1 | 2 |
| 3 | 09 30 30 086 90 | screw | 1 | 2 |
| 4 | 09 11 01 179-33 | cover | 1 | - |
| Spare part can no longer be ordered, please order the replacement item | | | | |
| 5 | 09 20 97 057-33 | handle | 1 | 30 |
| 6 | 09 31 11 058 90 | pin | 1 | 2 |