




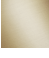


CL.1 Bath spout without diverter for deck mounting - Brushed Platinum

CL.1

13 612 705

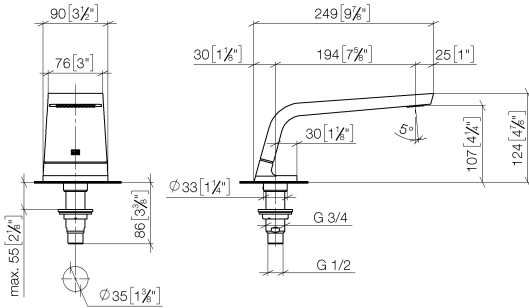


- 200mm projection
- rectangular spray pattern with 55 individual jets
- height of mixer 125 mm
- height up to aerator 108 mm
- hole diameter 35 mm
- 1/2" connection
- max. flow 24.6 l/min at 3 bar flow pressure
- WRAS 1512010

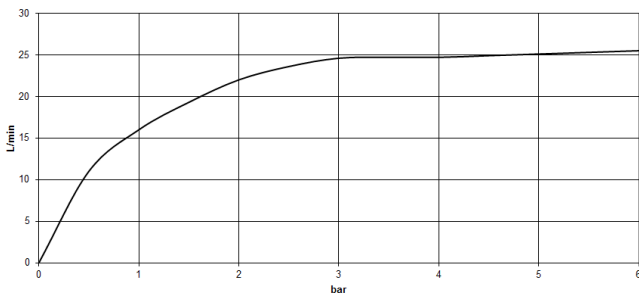
	Brushed Platinum	13 612 705-06
	Chrome	13 612 705-00
	Dark Chrome	13 612 705-19
	Brushed Champagne (22kt Gold)	13 612 705-46
	Champagne (22kt Gold)	13 612 705-47
	Brushed Dark Platinum	13 612 705-99

13 612 705

mm [inches]



Flow rate chart



Codes & Standards

ASME A112.18.1

cUPC

DIN 4109

ISO 3822

Scottish Water
Byelaws

UK Water Supply
Regulations

Ü-Zeichen



CL.1 Bath spout without diverter for deck mounting - Brushed Platinum

CL.1

13 612 705

Certificates

LGA_28

WRAS_1512

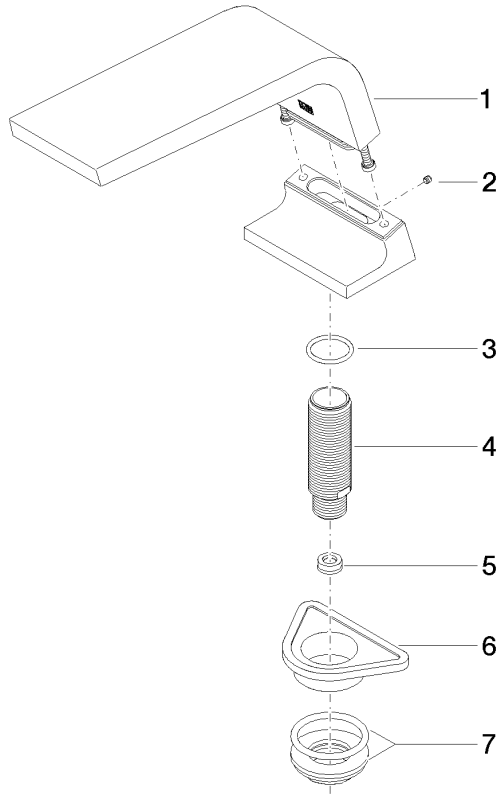
IAPMO_4976

13 612 705

Product version from 3/9/2015 to 5/27/2021

Product version from 5/27/2021

Parts for other
finishes can be found
here: [Chrome](#)





CL.1 Bath spout without diverter for deck mounting - Brushed Platinum

CL.1

13 612 705

Spare parts list

Product version from 3/9/2015 to 5/27/2021

Product version from 5/27/2021

No.	Item Number	Name	Quantity used	Delivery time
	90 11 70 007 00-06	spout	7	10