

**MEM Bath cascade spout without diverter for deck mounting - Chrome**

13 630 740



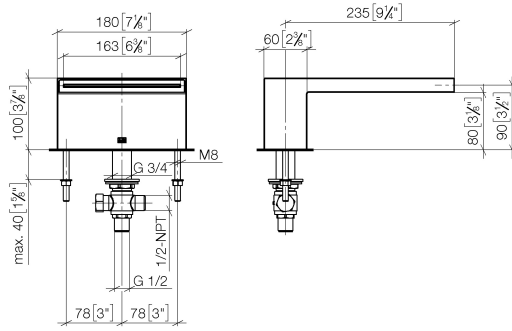
- 235mm projection
- cascade
- height of mixer 100 mm
- height up to aerator 80 mm
- hole diameter 32 mm
- 1/2" connection
- max. flow 26.5 l/min at 3 bar flow pressure
- WRAS

|   |                                     |               |
|---|-------------------------------------|---------------|
|  | Chrome                              | 13 630 740-00 |
|  | Brushed Platinum                    | 13 630 740-06 |
|  | Platinum                            | 13 630 740-08 |
|  | Dark Chrome                         | 13 630 740-19 |
|  | Brushed Durabronze<br>(23kt Gold)   | 13 630 740-28 |
|  | Brushed<br>Champagne (22kt<br>Gold) | 13 630 740-46 |
|  | Champagne (22kt<br>Gold)            | 13 630 740-47 |
|  | Brushed Dark<br>Platinum            | 13 630 740-99 |

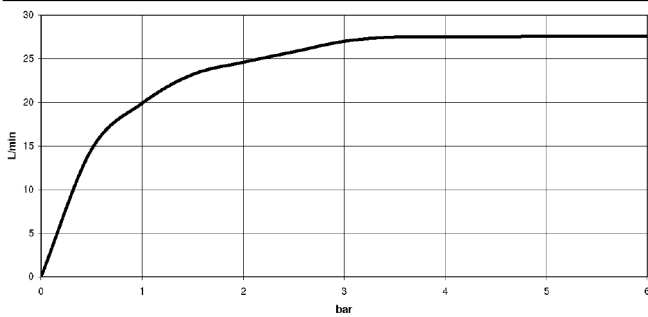
**MEM Bath cascade spout without diverter for deck mounting - Chrome**

13 630 740

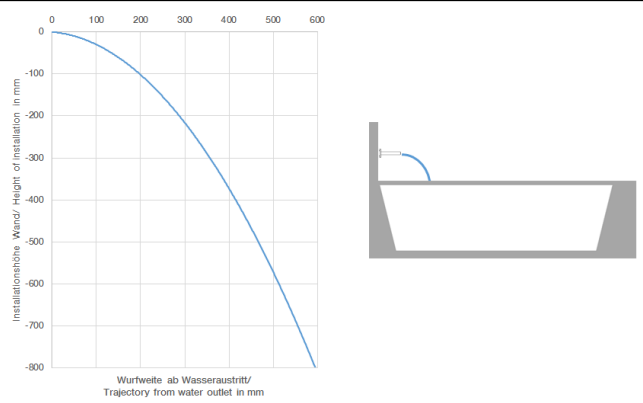
mm [inches]



Flow rate chart



Trajectory diagram



Codes & Standards

|                        |                             |           |          |
|------------------------|-----------------------------|-----------|----------|
| ASME A112.18.1         | cUPC                        | DIN 4109  | ISO 3822 |
| Scottish Water Byelaws | UK Water Supply Regulations | Ü-Zeichen |          |



## MEM Bath cascade spout without diverter for deck mounting - Chrome

---

13 630 740

### Certificates

---

IAPMO\_4976

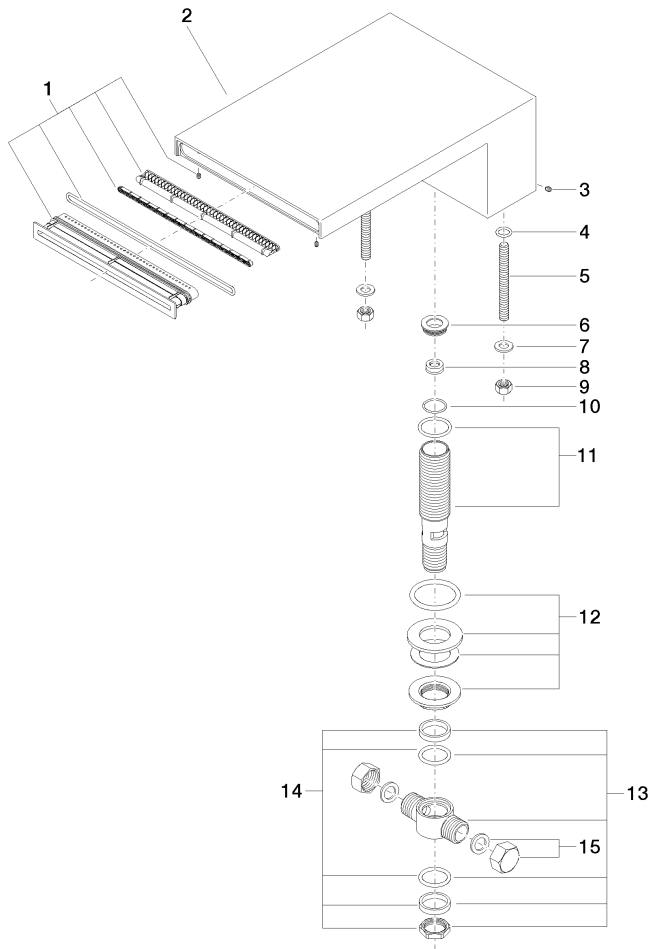
LGA\_19

WRAS\_240502

**MEM Bath cascade spout without diverter for deck mounting - Chrome**

13 630 740

Parts for other finishes can be found here: [Brushed](#) [Platinum](#)



**Spare parts list**

| No. | Item Number        | Name         | Quantity used | Delivery time |
|-----|--------------------|--------------|---------------|---------------|
| 1   | 90 29 03 059 00 90 | insert       | 1             | 2             |
| 2   | 09 11 74 040-00    | spout        | 1             | 10            |
| 3   | 09 31 11 044 90    | pin          | 1             | 2             |
| 4   | 09 14 10 008 90    | seal         | 2             | 2             |
| 5   | 09 31 11 011 90    | pin          | 2             | 2             |
| 6   | 09 24 04 246 20 90 | nipple       | 1             | 2             |
| 7   | 09 30 11 045 90    | disc         | 2             | 2             |
| 8   | 09 23 01 057 90    | flow reducer | 1             | 2             |
| 9   | 09 23 10 023 90    | nut          | 2             | 2             |
| 10  | 09 14 10 140 90    | seal         | 1             | 2             |
| 11  | 90 30 01 033 00 90 | base         | 1             | 2             |
| 12  | 04 23 10 004 04 90 | fixing set   | 1             | 2             |
| 13  | 90 17 11 020 10 90 | distributor  | 1             | 2             |
| 14  | 90 23 10 012 00 90 | gasket kit   | 1             | 2             |
| 15  | 04 21 02 006 00 92 | cap          | 2             | 2             |