

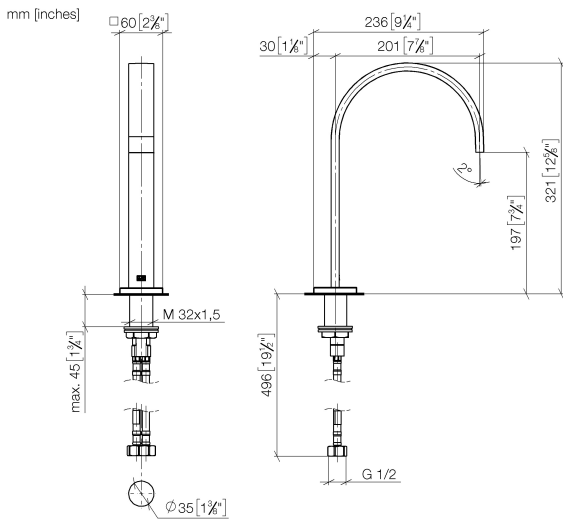
13 716 782



- 200mm projection
- fixed spout
- rectangular, air-enriched flow
- height of mixer 321 mm
- height up to aerator 190 mm
- hole diameter 35 mm
- rosette 60 x 60 mm
- 2x screw-in M 10 x 1 pressure hose, leak-tested
- 1/2" connection
- max. flow 5.7 l/min
- lead-free
- This product can help a building meet the requirements of Green Building Rating Systems, e.g. LEED®, BREEAM®, DGNB

	Dark Chrome	13 716 782-19
	Chrome	13 716 782-00
	Brushed Platinum	13 716 782-06
	Platinum	13 716 782-08
	Brushed Durabross (23kt Gold)	13 716 782-28
	Brushed Champagne (22kt Gold)	13 716 782-46
	Champagne (22kt Gold)	13 716 782-47
	Brushed Dark Platinum	13 716 782-99

13 716 782



**Flow rate chart**



**Codes & Standards**

Executive Order  
no. 1007



MEM Deck-mounted basin spout without pop-up waste - Dark Chrome

---

MEM

13 716 782

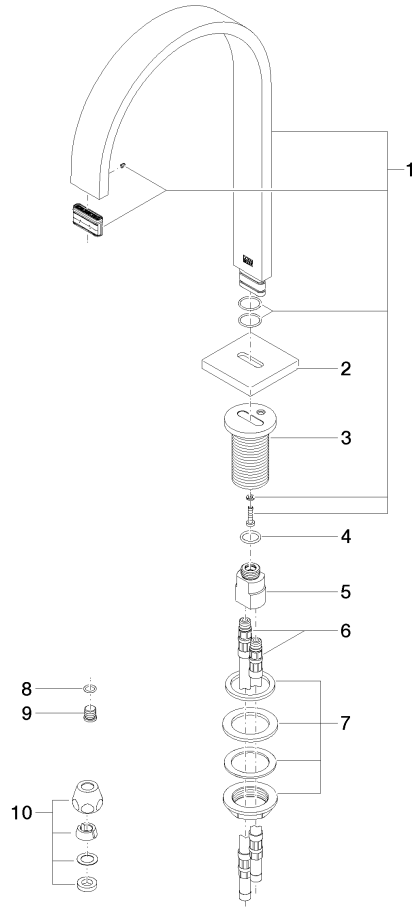
Certificates

---

GDV\_0400

13 716 782

Parts for other finishes can be found here: [Chrome](#)





## MEM Deck-mounted basin spout without pop-up waste - Dark Chrome

---

MEM

13 716 782

### **Spare parts list**