







CL.1 Deck-mounted basin spout without pop-up waste - Champagne (22kt Gold)

CL.1

13 717 705



- 200mm projection
- fixed spout
- rectangular spray pattern with 40 individual jets
- height of mixer 343 mm
- height up to aerator 329 mm
- hole diameter 35 mm
- max. flow 4 l/min
- 1/2" connection
- 2x screw-in M 10 x 1 pressure hose, leak-tested
- lead-free
- This product can help a building meet the requirements of Green Building Rating Systems, e.g. LEED®, BREEAM®, DGNB
- WRAS 1512011

| | | |
|--|-------------------------------|---------------|
|  | Champagne (22kt Gold) | 13 717 705-47 |
|  | Chrome | 13 717 705-00 |
|  | Brushed Platinum | 13 717 705-06 |
|  | Dark Chrome | 13 717 705-19 |
|  | Brushed Champagne (22kt Gold) | 13 717 705-46 |
|  | Brushed Dark Platinum | 13 717 705-99 |

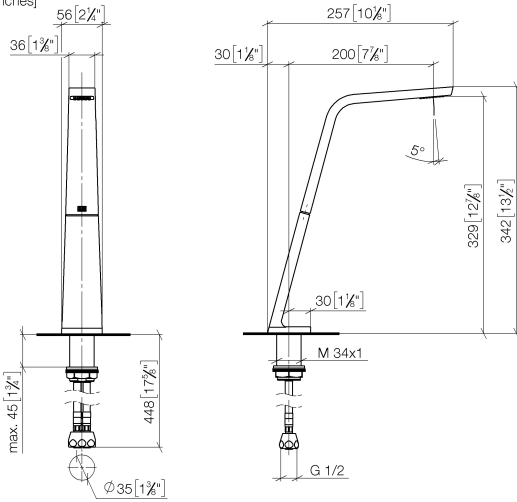


CL.1 Deck-mounted basin spout without pop-up waste - Champagne (22kt Gold)

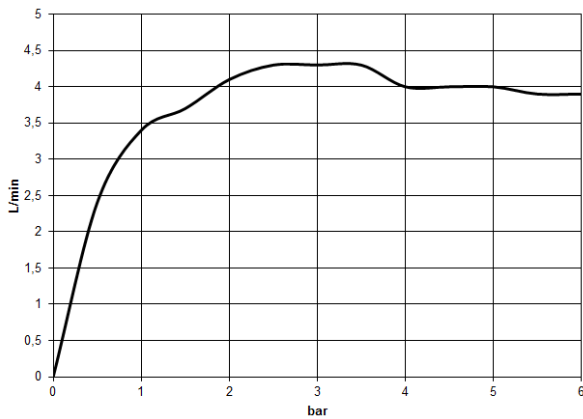
CL.1

13 717 705

mm [inches]



Flow rate chart



Codes & Standards

EPA WaterSense

Executive Order
no. 1007

NSF372

NSF61

WaterSense





CL.1 Deck-mounted basin spout without pop-up waste - Champagne (22kt Gold)

CL.1

13 717 705

Certificates

GDV_0400

IAPMO_N-4

IAPMO_8834

IAPMO_6



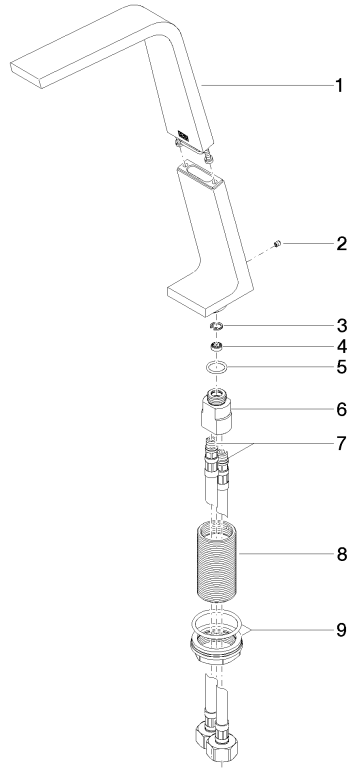
CL.1 Deck-mounted basin spout without pop-up waste - Champagne (22kt Gold)

CL.1

13 717 705

Product version from 7/1/2021

Parts for other finishes can be found here: [Chrome](#)





CL.1 Deck-mounted basin spout without pop-up waste - Champagne (22kt Gold)

CL.1

13 717 705

Spare parts list

Product version from 7/1/2021

| No. | Item Number | Name | Quantity used | Delivery time |
|-----|--------------------|-------|---------------|---------------|
| | 90 11 70 003 00-47 | spout | 10 | 30 |