

17 500 892

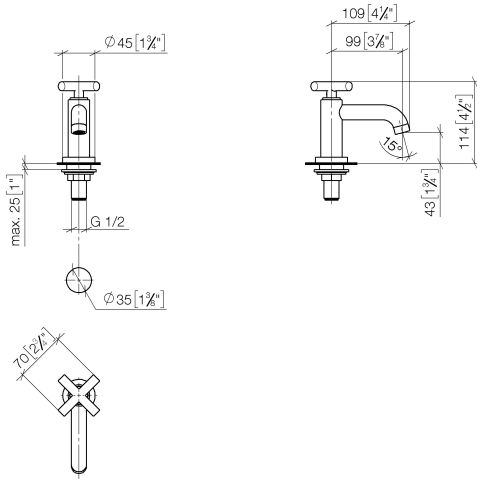


- 100mm projection
- fixed spout
- circular, air-enriched flow
- height of mixer 115 mm
- height up to aerator 40 mm
- hole diameter 35 mm
- 1/2" connection
- rosette Ø 45 mm
- max. flow 7 l/min
- lead-free
- This product can help a building meet the requirements of Green Building Rating Systems, e.g. LEED®, BREEAM®, DGNB

|  |                                |               |
|--|--------------------------------|---------------|
|    | Brushed Platinum               | 17 500 892-06 |
|    | Chrome                         | 17 500 892-00 |
|    | Platinum                       | 17 500 892-08 |
|    | Dark Chrome                    | 17 500 892-19 |
|    | Brushed Durabronze (23kt Gold) | 17 500 892-28 |
|    | Matte Black                    | 17 500 892-33 |
|    | Brushed Bronze                 | 17 500 892-42 |
|    | Brushed Champagne (22kt Gold)  | 17 500 892-46 |
|    | Champagne (22kt Gold)          | 17 500 892-47 |
|   | Brushed Chrome                 | 17 500 892-93 |
|  | Brushed Dark Platinum          | 17 500 892-99 |

17 500 892

mm [inches]



Flow rate chart



Codes & Standards

DIN 4109

ISO 3822

Ü-Zeichen



## TARA Pillar tap cold water - Brushed Platinum

---

TARA

17 500 892

Certificates

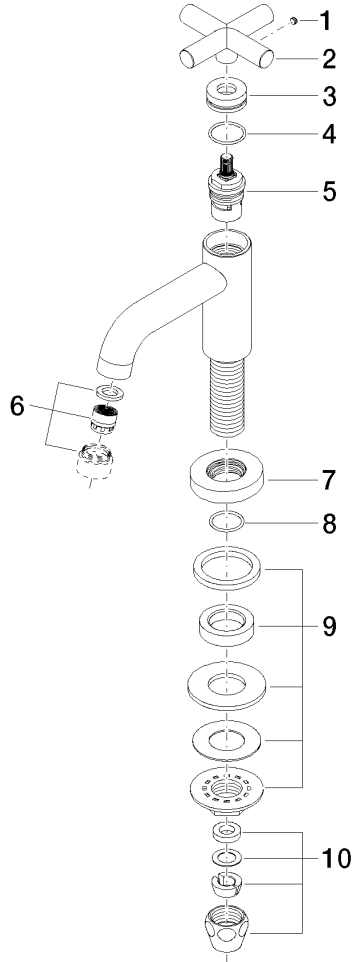
---

LGA\_18

17 500 892

**Product version from 6/30/2009**

Parts for other finishes can be found here: [Chrome](#)





17 500 892

## **Spare parts list**

**Product version from 6/30/2009**