

17 500 892

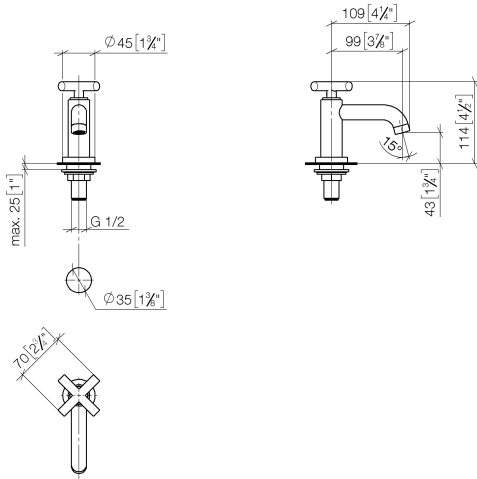


- 100mm projection
- fixed spout
- circular, air-enriched flow
- height of mixer 115 mm
- height up to aerator 40 mm
- hole diameter 35 mm
- 1/2" connection
- rosette Ø 45 mm
- max. flow 7 l/min
- lead-free
- This product can help a building meet the requirements of Green Building Rating Systems, e.g. LEED®, BREEAM®, DGNB

	Brushed Durabronze (23kt Gold)	17 500 892-28
	Chrome	17 500 892-00
	Brushed Platinum	17 500 892-06
	Platinum	17 500 892-08
	Dark Chrome	17 500 892-19
	Matte Black	17 500 892-33
	Brushed Bronze	17 500 892-42
	Brushed Champagne (22kt Gold)	17 500 892-46
	Champagne (22kt Gold)	17 500 892-47
	Brushed Chrome	17 500 892-93
	Brushed Dark Platinum	17 500 892-99

17 500 892

mm [inches]



Flow rate chart



Codes & Standards

DIN 4109

ISO 3822

Ü-Zeichen



TARA Pillar tap cold water - Brushed Durabronz (23kt Gold)

TARA

17 500 892

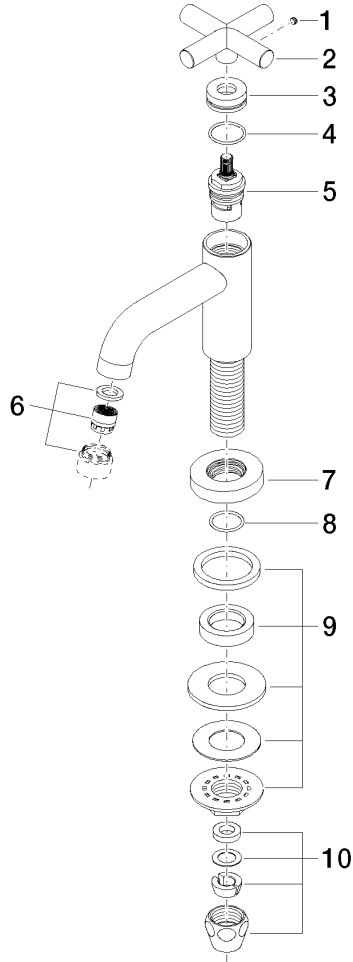
Certificates

LGA_18

17 500 892

Product version from 6/30/2009

Parts for other finishes can be found here: [Chrome](#)





17 500 892

Spare parts list

Product version from 6/30/2009