






CL.1 Deck valve clockwise closing cold - Chrome

20 004 705 Product version from 3/9/2015

- hole diameter 32 mm
- rosette 60 x 47 mm
- with cold marking
- WRAS

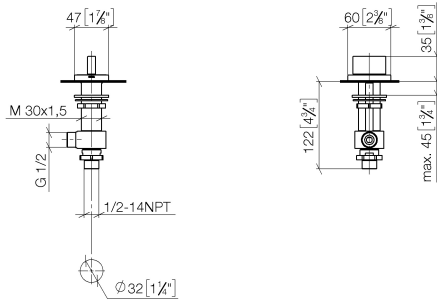


	Chrome	20 004 705-00
	Brushed Platinum	20 004 705-06
	Dark Chrome	20 004 705-19
	Brushed Champagne (22kt Gold)	20 004 705-46
	Champagne (22kt Gold)	20 004 705-47
	Brushed Dark Platinum	20 004 705-99

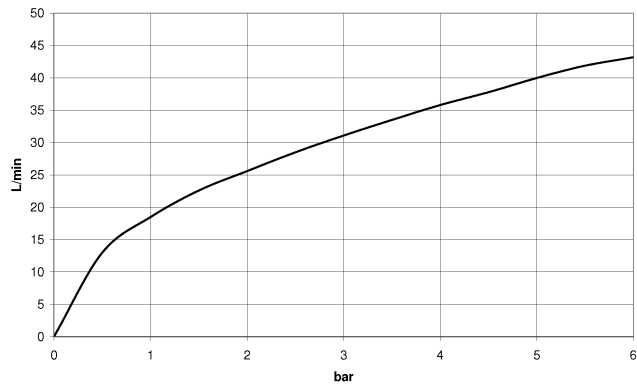
CL.1 Deck valve clockwise closing cold - Chrome

20 004 705 Product version from 3/9/2015

mm [inches]



Flow rate chart



Codes & Standards

ASME A112.18.1	cUPC	DIN 4109	ISO 3822
NSF372	NSF61	Scottish Water Byelaws	UK Water Supply Regulations

Ü-Zeichen



CL.1 Deck valve clockwise closing cold - Chrome

20 004 705 Product version from 3/9/2015

Certificates

WRAS_1804

IAPMO_N-4

LGA_28

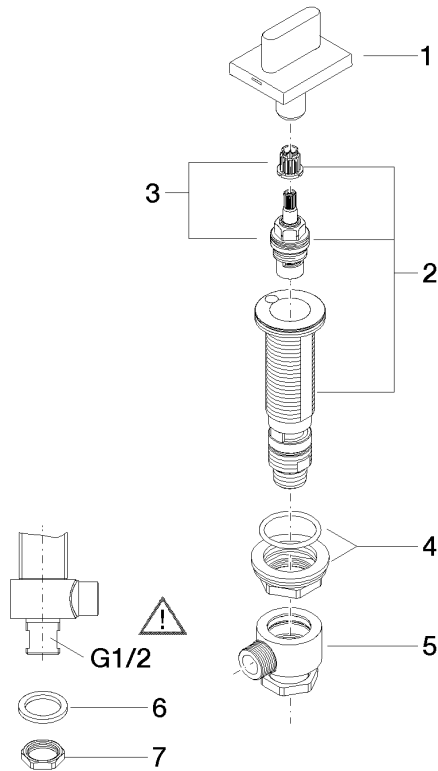
IAPMO_4976

IAPMO_6

WRAS_240202

CL.1 Deck valve clockwise closing cold - Chrome

20 004 705 Product version from 3/9/2015



Spare parts list

No.	Item Number	Name	Quantity used	Delivery time
1	90 20 70 051 06-00	handle (cold)	1	10
2	04 17 11 058 53 90	side panel	1	2
3	90 90 03 153 00 90	top	1	2
4	04 23 10 032 78 90	fixing set	1	2
5	04 17 11 023 10 90	distributor	1	2
6	90 23 30 040 00-00	threaded connector	1	10
7	09 30 11 059 90	disc	1	2
8	09 23 10 012 90	nut	1	2