
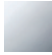


20 713 710



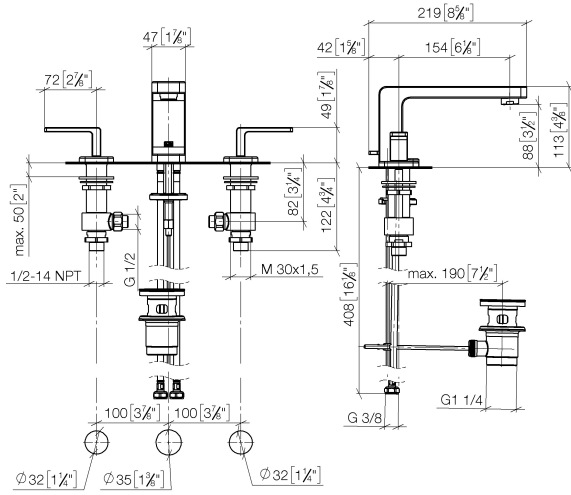
- 155mm projection
- fixed spout
- circular, air-enriched flow
- height of mixer 114 mm
- height up to aerator 90 mm
- hole diameter valve 32 mm
- hole diameter spout 35 mm
- rosette 47 x 55 mm
- 2x screw-in M 8 x 1 pressure hose, leak-tested
- max. flow 7 l/min
- lead-free
- WRAS 1906089
- This product can help a building meet the requirements of Green Building Rating Systems, e.g. LEED®, BREEAM®, DGNB

Only suitable for basins with an overflow.

| | | |
|---|------------------|---------------|
|  | Brushed Platinum | 20 713 710-06 |
|  | Chrome | 20 713 710-00 |

20 713 710

mm [inches]



Flow rate chart



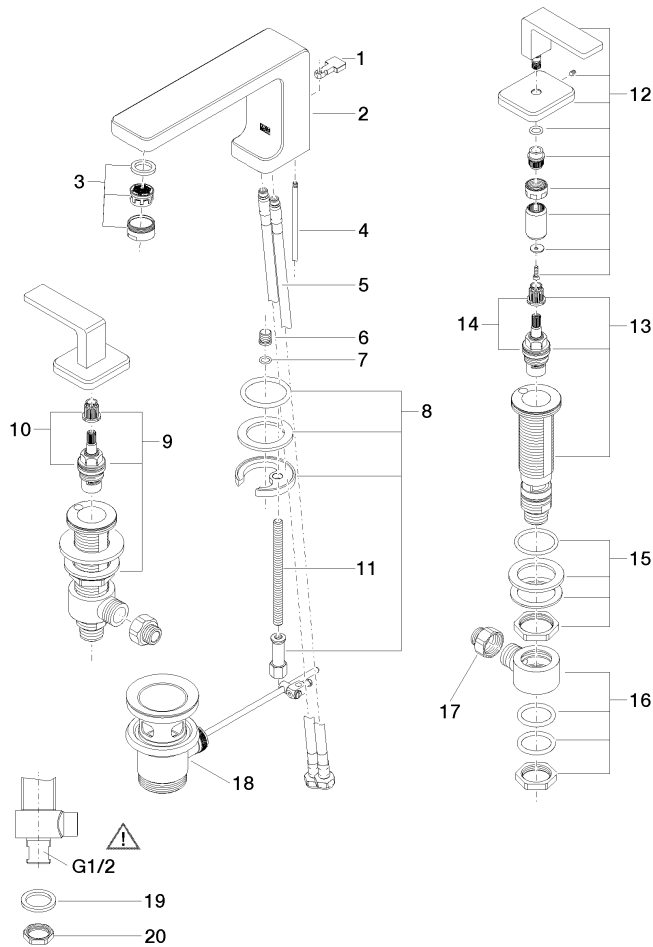
Certificates

LGA_19546.

WRAS_1906089.

20 713 710

Parts for other finishes can be found here: [Chrome](#)



Spare parts list

| No. | Item Number | Name | Quantity used | Delivery time |
|-----|--------------------|--------------|---------------|---------------|
| 1 | 09 20 71 033-06 | handle | 1 | 10 |
| 2 | 09 11 71 095 10-06 | spout | 1 | 10 |
| 3 | 90 23 01 118 01-06 | aerator | 1 | 10 |
| 4 | 09 31 09 080-06 | pull-rod | 1 | 10 |
| 5 | 04 30 04 100 00 90 | hose | 2 | 2 |
| 6 | 09 31 20 065 90 | plug | 1 | 2 |
| 7 | 90 14 10 060 00 90 | seal | 1 | 2 |
| 8 | 04 30 11 038 75 90 | fixing set | 1 | 2 |
| 9 | 04 17 11 058 53 90 | side panel | 1 | 2 |
| 10 | 90 90 03 153 00 90 | top | 1 | 2 |
| 11 | 09 31 11 012 90 | pin | 1 | 2 |
| 12 | 90 20 71 046 01-06 | handle | 2 | 10 |
| 13 | 04 17 11 058 52 90 | side panel | 1 | 2 |
| 14 | 90 90 03 152 00 90 | top | 1 | 2 |
| 15 | 04 23 10 032 78 90 | fixing set | 2 | 2 |
| 16 | 04 17 11 023 10 90 | distributor | 2 | 2 |
| 17 | 09 24 03 185-00 | nipple | 2 | 10 |
| 18 | 90 11 01 001 00-06 | pop-up waste | 1 | 10 |
| 19 | 09 30 11 059 90 | disc | 2 | 2 |
| 20 | 09 23 10 012 90 | nut | 2 | 2 |