







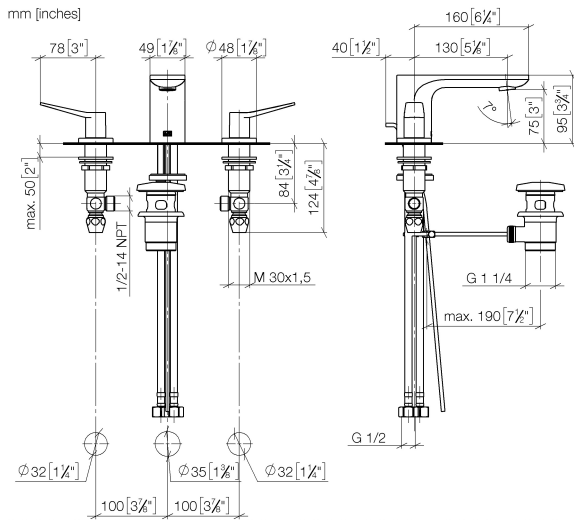
20 713 845



- 130mm projection
 - fixed spout
 - circular, air-enriched flow
 - height of mixer 95 mm
 - height up to aerator 75 mm
 - hole diameter valve 32 mm
 - hole diameter spout 35 mm
 - rosette Ø 48 mm
 - max. flow 5.7 l/min
 - lead-free
 - WRAS 2210005
 - This product can help a building meet the requirements of Green Building Rating Systems, e.g. LEED®, BREEAM®, DGNB
- Only suitable for basins with an overflow.

	Brushed Dark Platinum	20 713 845-99
	Chrome	20 713 845-00
	Brushed Platinum	20 713 845-06
	Dark Chrome	20 713 845-19
	Matte Black	20 713 845-33
	Brushed Chrome	20 713 845-93

20 713 845



Flow rate chart

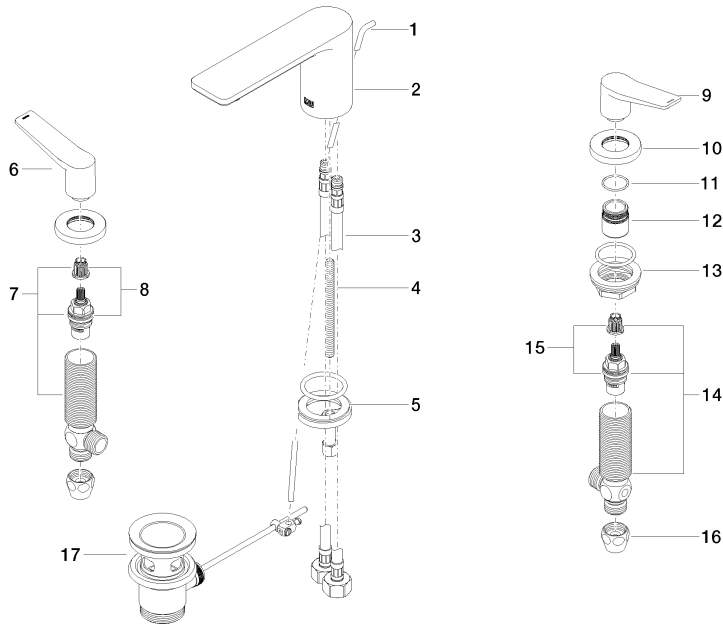


Certificates

WRAS_2210005. LGA_29010.

20 713 845

Parts for other finishes can be found here: [Chrome](#)



Spare parts list

No.	Item Number	Name	Quantity used	Delivery time
1	09 31 09 120-99	pull-rod	1	60
2	90 11 84 013 00-99	spout	1	30
3	04 30 04 019 00 90	hose	2	2
4	09 31 11 012 90	pin	1	2
5	04 30 11 038 75 90	fixing set	1	2
6	09 20 84 025-99	handle (hot)	1	60
7	04 17 11 055 51 90	side panel	1	2
8	90 90 03 151 00 90	top	1	2
9	09 20 84 024-99	handle (cold)	1	60
10	09 27 84 023-99	rosette	2	60
11	09 14 10 098 90	seal	2	2
12	09 18 40 206 90	ring	2	2
13	04 23 10 032 78 90	fixing set	2	2
14	04 17 11 055 50 90	side panel	1	2
15	90 90 03 150 00 90	top	1	2
16	90 23 30 040 00-99	threaded connector	2	30
17	90 11 01 001 00-99	pop-up waste	1	30