

20 815 892



- 235mm projection
- pivotable spout 360°
- air-enriched flow
- height of mixer 370 mm
- height up to aerator 212 mm
- hole diameter spout 35 mm
- hole diameter valve 32 mm
- max. flow 7 l/min at 3 bar flow pressure
- lead-free
- This product can help a building meet the requirements of Green Building Rating Systems, e.g. LEED®, BREEAM®, DGNB

	Dark Chrome	20 815 892-19
	Chrome	20 815 892-00
	Brushed Platinum	20 815 892-06
	Platinum	20 815 892-08
	Durabrass (23kt Gold)	20 815 892-09
	Brushed Durabrass (23kt Gold)	20 815 892-28
	Matte Black	20 815 892-33
	Brushed Champagne (22kt Gold)	20 815 892-46
	Champagne (22kt Gold)	20 815 892-47
	Brushed Chrome	20 815 892-93
	Brushed Dark Platinum	20 815 892-99

Recommended miscellaneous

**Dispenser with rosette - Dark Chrome** 82 444 970-19



Recommended miscellaneous

**Strainer waste with control handle - Dark Chrome** 10 710 970-19

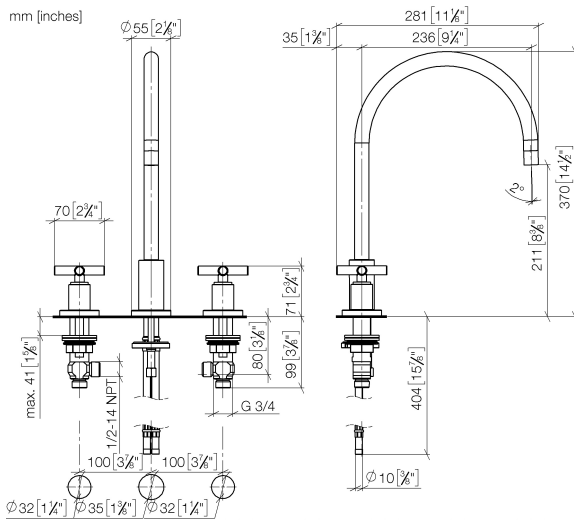


Recommended miscellaneous

**Dispenser with rosette - Dark Chrome** 82 444 970-19



20 815 892



Flow rate chart



Certificates

GDV\_0400289.

20 815 892

Parts for other finishes can be found here: [Chrome](#)

