







22 500 360 Product version from 9/1/2021



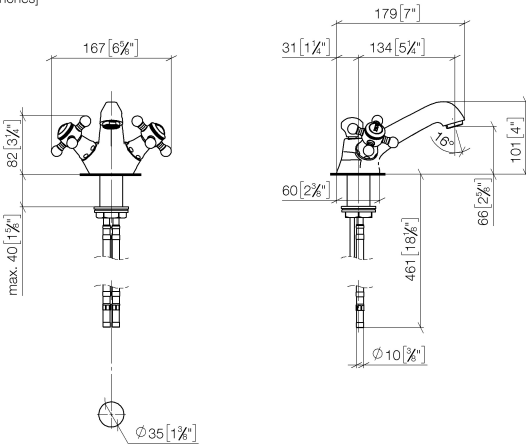
- 130mm projection
- fixed spout
- circular, air-enriched flow
- height of mixer 100 mm
- height up to aerator 65 mm
- hole diameter 35 mm
- 2x screw-in M 10 x 1 pressure hose, leak-tested
- max. flow 7 l/min
- lead-free
- This product can help a building meet the requirements of Green Building Rating Systems, e.g. LEED®, BREEAM®, DGNB
- WRAS

Only suitable for basins with an overflow.

	Brushed Platinum	22 500 360-06
	Chrome	22 500 360-00
	Platinum	22 500 360-08
	Durabronze (23kt Gold)	22 500 360-09
	Brushed Durabronze (23kt Gold)	22 500 360-28
	Brushed Dark Platinum	22 500 360-99

22 500 360 Product version from 9/1/2021

mm [inches]



**Flow rate chart**



**Codes & Standards**

DIN 4109

EN 200

ISO 3822

Scottish Water  
Byelaws

UK Water Supply  
Regulations

Ü-Zeichen

VA-Zeichen



# MADISON Single-hole basin mixer with pop-up waste - Brushed Platinum

MADISON

22 500 360 Product version from 9/1/2021

## Certificates

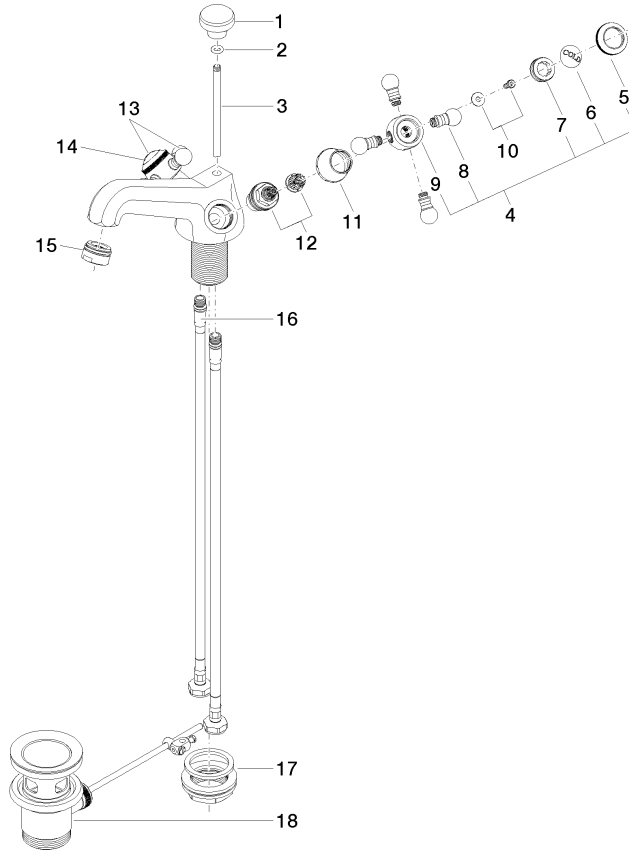
WRAS\_2107

LGA\_8

ETA\_17

22 500 360 Product version from 9/1/2021

Parts for other finishes can be found here: [Chrome](#)



**Spare parts list**

No.	Item Number	Name	Quantity used	Delivery time
1	09 20 36 030-06	handle	1	10
2	90 14 10 062 00 90	seal	1	2
3	09 31 09 004-06	pull-rod	1	10
4	04 20 36 002 06-06	handle ( cold )	1	10
5	09 20 36 005-06	handle	2	10
6	09 26 01 010 90	accessories	1	2
7	09 20 83 006 90	handle	2	2
8	09 20 36 004-06	handle	8	10
9	09 20 36 002-06	handle	2	10
10	04 30 30 029 00 90	fixing set	2	2
11	09 21 02 055-06	cover	2	10
12	90 90 03 151 00 90	top	2	2
13	04 20 36 002 07-06	handle ( hot )	1	10
14	09 26 01 011 90	accessories	1	2
15	90 23 01 118 01-06	aerator	1	10
16	04 30 04 104 00 90	hose	2	2
17	04 23 10 009 01 90	fixing set	1	2
18	90 11 01 001 00-06	pop-up waste	1	10