

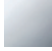

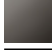
**CYO Single-lever bath mixer with stand pipe for free-standing assembly with hand shower set - Brushed Dark Platinum**

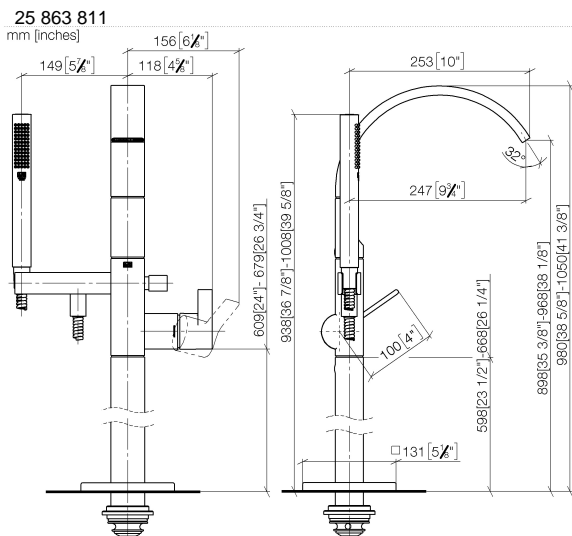
CYO

25 863 811

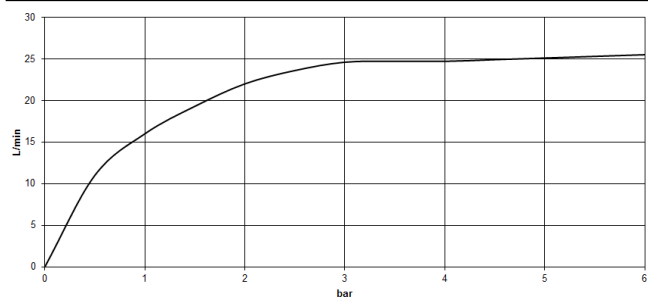


- 253mm projection
- rectangular, air-enriched flow
- max. spout flow rate 26.5 l/min
- Hand shower: COMPACT RAIN, max. flow rate 6.8 l/min (at 3 bar)
- bar-type hand shower with anti-scale system
- wall bracket
- automatic bath/shower diverter
- total height 980 - 1050 mm
- stand pipe height 598 - 668 mm
- height up to aerator 903 – 973 mm
- push-on rosette 131 x 131 mm
- metal shower hose 1250mm with integrated anti-twist protection

|   |                                |               |
|---|--------------------------------|---------------|
|  | Brushed Dark Platinum          | 25 863 811-99 |
|  | Chrome                         | 25 863 811-00 |
|  | Brushed Platinum               | 25 863 811-06 |
|  | Dark Chrome                    | 25 863 811-19 |
|  | Brushed Durabronze (23kt Gold) | 25 863 811-28 |



**Flow rate chart**



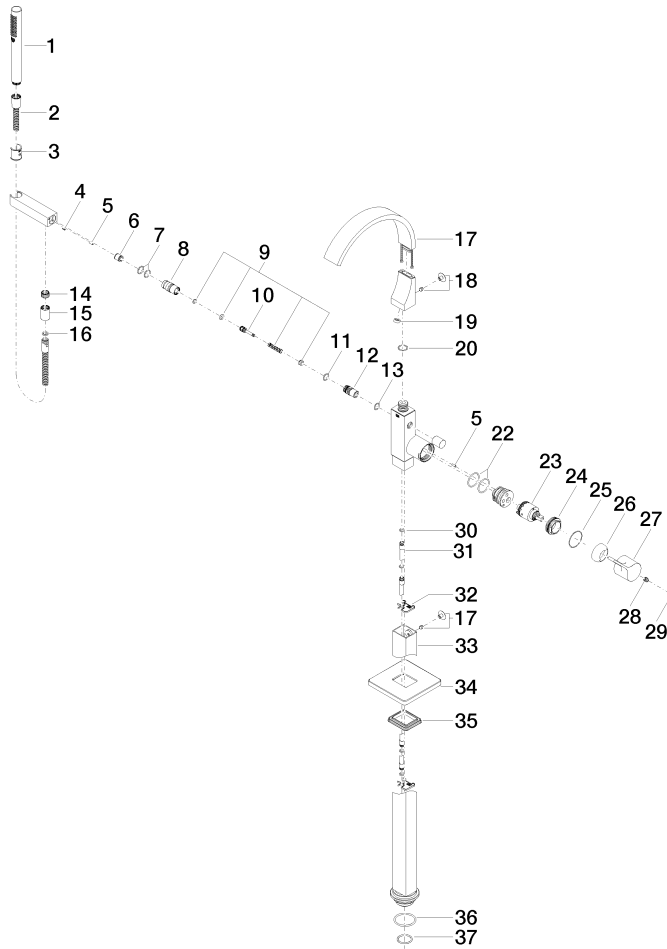
**Certificates**

IAPMO\_4976 (6).    LGA\_38119.    WRAS\_2201043.    Belgaqua\_21-376-27\_1.

**CYO Single-lever bath mixer with stand pipe for free-standing assembly with hand shower set - Brushed Dark Platinum**

CYO

25 863 811  
Parts for other finishes can be found here: [Chrome](#)





# CYO Single-lever bath mixer with stand pipe for free-standing assembly with hand shower set - Brushed Dark Platinum

CYO

25 863 811

## Spare parts list

| No. | Item Number        | Name  | Quantity used | Delivery time |
|-----|--------------------|---|---------------|---------------|
| 1   | 90 12 11 140 30-99 | shower  | 1             | 30            |
| 2   | 90 30 02 072 00-99 | Metal shower hose 1/2" x 3/8" x 1250 mm - Brushed Dark Platinum | 1             | 30            |
| 3   | 09 18 40 118 90    | sleeve  | 1             | 2             |
| 4   | 09 31 11 058 90    | pin   | 1             | 2             |
| 5   | 09 31 11 040 90    | pin   | 3             | 2             |
| 6   | 90 23 01 141 00 90 | back-flow preventer   | 1             | 2             |
| 7   | 90 14 10 010 00 90 | seal  | 2             | 2             |
| 8   | 09 24 03 130-00    | nipple  | 1             | 10            |
| 9   | 90 16 02 023 00 90 | spring  | 1             | 2             |
| 10  | 09 31 09 094 20-99 | pull-rod  | 1             | 30            |
| 11  | 90 14 10 055 00 90 | seal  | 1             | 2             |
| 12  | 09 21 34 080-99    | nipple  | 1             | 30            |
| 13  | 90 14 10 033 00 90 | seal  | 1             | 2             |
| 14  | 09 24 03 069 90    | nipple  | 1             | 2             |
| 15  | 90 21 02 069 00-99 | cover   | 1             | 30            |
| 16  | 90 14 20 026 00 90 | seal  | 1             | 2             |
| 17  | 90 11 70 011 00-99 | spout   | 1             | 30            |
| 18  | 04 31 20 034 00 90 | plug  | 2             | 2             |
| 19  | 09 23 01 057 90    | flow reducer  | 1             | 2             |
| 20  | 09 14 10 031 90    | seal  | 2             | 2             |
| 21  | 09 14 10 148 90    | seal  | 1             | 2             |
| 22  | 90 15 05 039 00 90 | cartridge   | 1             | 2             |
| 23  | 09 24 04 298 90    | nut   | 1             | 2             |
| 24  | 09 14 10 037 90    | seal  | 1             | 2             |
| 25  | 09 28 30 036-99    | cover   | 1             | 30            |
| 26  | 09 20 80 022-99    | handle  | 1             | 30            |
| 27  | 90 31 11 030 00 90 | pin   | 1             | 2             |
| 28  | 90 31 20 087 00-99 | plug  | 1             | 30            |
| 29  | 09 14 10 139 90    | seal  | 4             | 2             |
| 30  | 04 28 22 025 00 90 | connection  | 2             | 2             |
| 31  | 09 20 93 051 90    | holder  | 2             | 2             |
| 32  | 04 28 22 024 00-99 | pipe  | 1             | 30            |
| 33  | 09 27 71 011-99    | rosette   | 1             | 30            |
| 34  | 09 14 03 107 90    | seal  | 1             | 2             |
| 35  | 09 14 10 084 90    | seal  | 1             | 2             |
| 36  | 09 14 10 018 90    | seal  | 1             | 2             |