

**VAIA Two-hole bath mixer for free-standing assembly with hand shower set -
Brushed Bronze**

VAIA

25 943 809



- spout: circular, air-enriched flow
 - max. flow 24.6 l/min at 3 bar flow pressure
 - Hand shower: COMPACT RAIN, max. flow rate 6.8 l/min (at 3 bar)
 - hand shower with anti-scale system
 - 221mm projection
 - pivotable spout 360°
 - rotary diverter for bath/shower
 - total height 920 mm
 - stand pipes height 628 mm
 - height up to aerator 816 mm
 - slide-on rosettes Ø 100 mm
 - gauge 150 mm
 - metal shower hose 1250mm with integrated anti-twist protection
 - pivotable shower holder on the right foot
- Intrinsic protection against back flow.**

Intrinsic protection against back flow.

	Brushed Bronze	25 943 809-42
	Chrome	25 943 809-00
	Brushed Platinum	25 943 809-06
	Platinum	25 943 809-08
	Dark Chrome	25 943 809-19
	Brushed Durabronze (23kt Gold)	25 943 809-28
	Brushed Champagne (22kt Gold)	25 943 809-46
	Champagne (22kt Gold)	25 943 809-47
	Brushed Dark Platinum	25 943 809-99

Required miscellaneous



Concealed floor mounting -

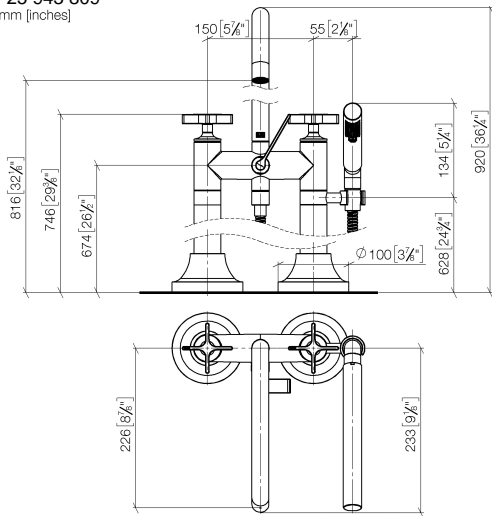
35 944 970 90

- min. recess depth 80 mm
- max. recess depth 160 mm

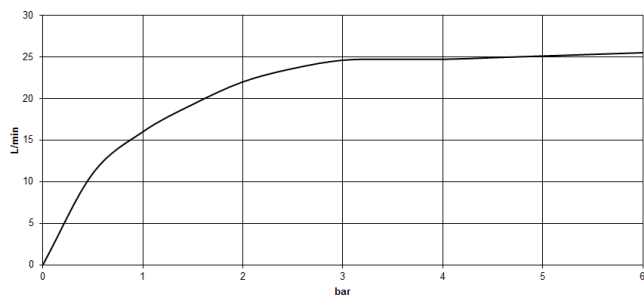
**VAIA Two-hole bath mixer for free-standing assembly with hand shower set -
Brushed Bronze**

VAIA

25 943 809
mm [inches]



Flow rate chart



Certificates

Belgauqa_22_276_2 LGA_29294.
7_2.

VAIA Two-hole bath mixer for free-standing assembly with hand shower set -
Brushed Bronze

VAIA

25 943 809

