



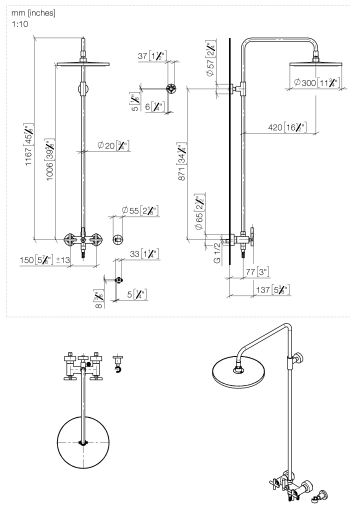
- shower with fixed riser projection 420mm
- overhead shower: rain flow
- rain shower Ø 300 mm
- rain shower with anti-scale system
- max. rainshower flow 14 l/min
- Function from: 10 l/min
- rotary diverter for fixed-riser shower/hand shower
- height of fittings up to rain shower (bottom edge) 1007mm
- height of fittings up to top edge of elbow 1167mm
- rosette for shower holder Ø 55mm
- rosette for wall mounting Ø 57mm
- rosette for shower mixer Ø 65mm
- gauge 150 mm - 13 mm
- 1500 mm metal shower hose
- 1/2" connection
- Pipe diameter 20 mm
- quick clearing

This article does not include a hand shower!

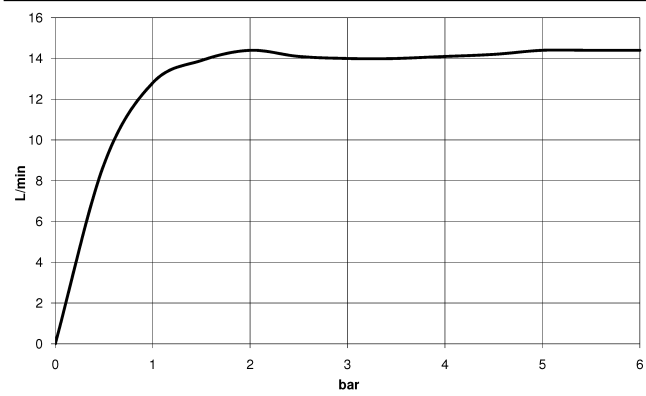
Intrinsic protection against back flow.

	Dark Chrome	26 623 892-19
	Chrome	26 623 892-00
	Brushed Platinum	26 623 892-06
	Platinum	26 623 892-08
	Brushed Durabronze (23kt Gold)	26 623 892-28
	Matte Black	26 623 892-33
	Brushed Bronze	26 623 892-42
	Brushed Champagne (22kt Gold)	26 623 892-46
	Champagne (22kt Gold)	26 623 892-47
	Brushed Chrome	26 623 892-93
	Brushed Dark Platinum	26 623 892-99

26 623 892 Product version from 4/1/2024



Flow rate chart



Codes & Standards

DIN 4109

EN 1717

ISO 3822

Ü-Zeichen



## TARA Showerpipe without hand shower 300 mm - Dark Chrome

---

TARA

26 623 892 Product version from 4/1/2024

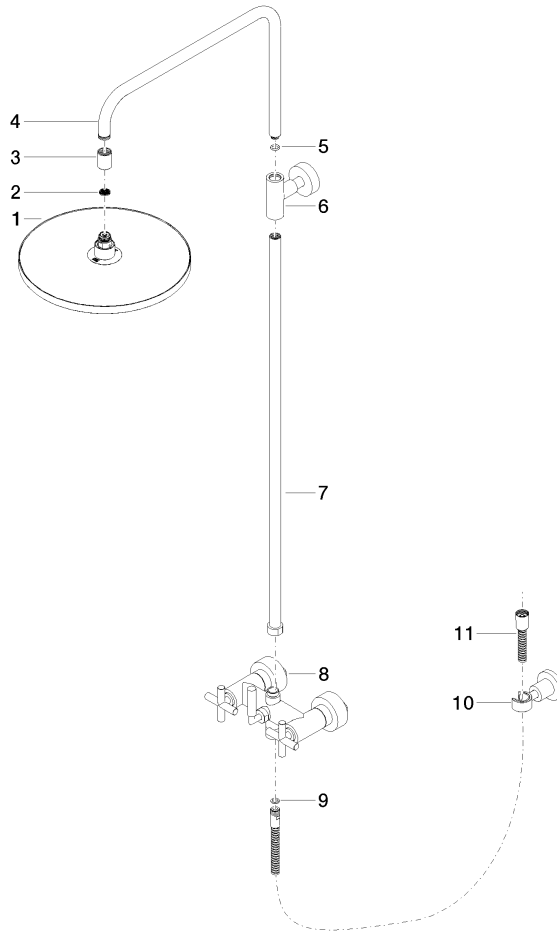
### Certificates

---

Belgaqua\_24-004-2 LGA\_38

26 623 892 Product version from 4/1/2024

Parts for other finishes can be found here: [Chrome](#)



### Spare parts list

No.	Item Number	Name	Quantity used	Delivery time
1	04 12 05 091 00-19	shower	1	20
2	09 23 01 039 90	sieve	1	2
3	09 24 03 177 20-19	adaptor	1	20
4	04 28 22 101 20-19	spout	1	20
5	90 14 10 011 00 90	seal	1	2
6	90 17 11 037 00-19	holder	1	20
7	90 28 22 096 00-19	pipe	1	20
8	04 17 10 020 01-19	fitting	1	20
9	90 14 20 026 00 90	seal	1	2
10	28 050 892-19	TARA Wall bracket - Dark Chrome	1	20
11	28 304 970-19	Metal shower hose 1/2" x 3/8" x 1500 mm - Dark Chrome	1	20