

**MEM Three-hole single-lever bath mixer for bath rim or tile edge installation -
Brushed Durabron (23kt Gold)**

MEM

27 412 782



- 220mm projection
- spout: rectangular normal flow
- max. flow 20.4 l/min at 3 bar flow pressure
- Hand shower: COMPACT RAIN, max. flow rate 6.8 l/min (at 3 bar)
- complete hand shower set with anti-scale system
- automatic bath/shower diverter
- height of mixer 300 mm
- height up to aerator 170 mm
- hole diameter spout 32 mm
- single-lever mixer hole diameter 35 mm
- hole diameter for complete hand shower set 32 mm
- rosette for mixer 60 x 60mm
- rosette for spout 60 x 60mm
- rosette for complete hand shower set 60 x 60mm
- metal shower hose 2250mm with integrated anti-twist protection

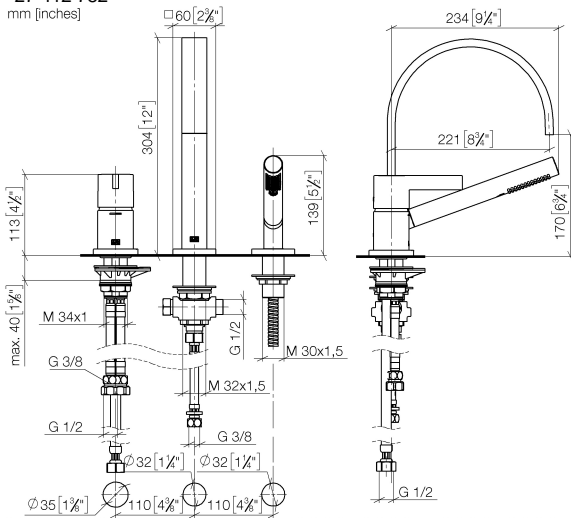
Intrinsic protection against back flow.

	Brushed Durabron (23kt Gold)	27 412 782-28
	Chrome	27 412 782-00
	Brushed Platinum	27 412 782-06
	Platinum	27 412 782-08
	Dark Chrome	27 412 782-19
	Brushed Champagne (22kt Gold)	27 412 782-46
	Champagne (22kt Gold)	27 412 782-47
	Brushed Dark Platinum	27 412 782-99

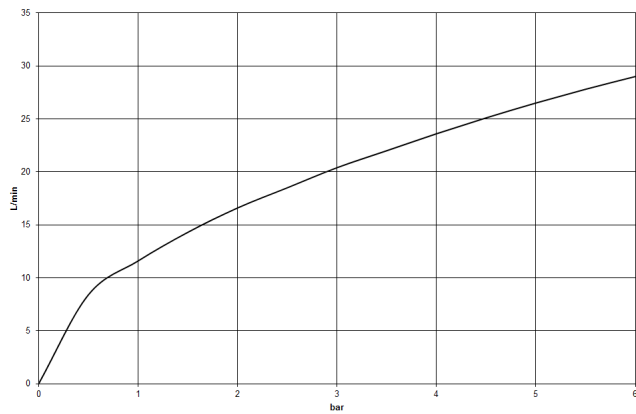
**MEM Three-hole single-lever bath mixer for bath rim or tile edge installation -
Brushed Durabronz (23kt Gold)**

MEM

27 412 782
mm [inches]



Flow rate chart



Certificates

Belgaqua_19_80_27. LGA_29730.

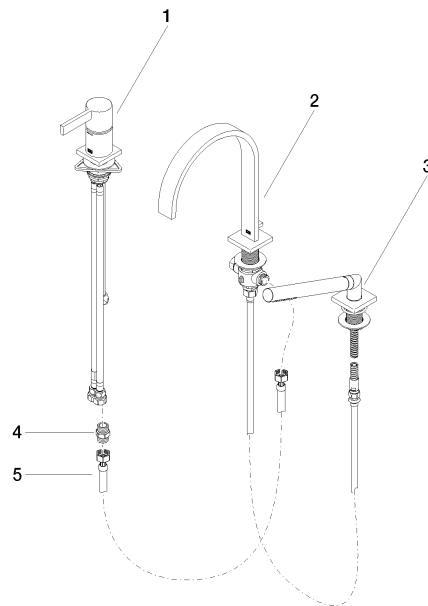
Belgaqua_24-008-
27_4.

**MEM Three-hole single-lever bath mixer for bath rim or tile edge installation -
Brushed Durabron (23kt Gold)**

MEM

27 412 782

Parts for other
finishes can be found
here: [Chrome](#)



Spare parts list

No.	Item Number	Name	Quantity used	Delivery time
1	29 300 670-28	Single-lever bath mixer for bath rim or tile edge installation - Brushed Durabron (23kt Gold)	1	20
2	13 512 782-28	spout	1	-
Spare part can no longer be ordered, please order the replacement item				
3	27 702 980-28	Hand shower set for bath rim or tile edge installation - Brushed Durabron (23kt Gold)	1	20
4	90 24 03 168 00 90	nipple	1	2
5	12 502 970 90	High pressure hose 1/2" x 1/2" x 400 mm -	1	2