

27 532 782



- 220mm projection
- spout: rectangular normal flow
- max. flow 27.3 l/min at 3 bar flow pressure
- Hand shower: COMPACT RAIN, max. flow rate 6.8 l/min (at 3 bar)
- complete hand shower set with anti-scale system
- automatic bath/shower diverter
- height of mixer 300 mm
- height up to aerator 170 mm
- hole diameter valve 32 mm
- hole diameter spout 32 mm
- hole diameter for complete hand shower set 32 mm
- rosette for spout 60 x 60mm
- rosette for complete hand shower set 60 x 60mm
- rosette for deck valve 60 x 60mm
- metal shower hose 1750mm with integrated anti-twist protection
- WRAS 2306058

Intrinsic protection against back flow.

| | | |
|---|--------------------------------|---------------|
|  | Platinum | 27 532 782-08 |
|  | Chrome | 27 532 782-00 |
|  | Brushed Platinum | 27 532 782-06 |
|  | Dark Chrome | 27 532 782-19 |
|  | Brushed Durabronze (23kt Gold) | 27 532 782-28 |
|  | Brushed Champagne (22kt Gold) | 27 532 782-46 |
|  | Champagne (22kt Gold) | 27 532 782-47 |
|  | Brushed Dark Platinum | 27 532 782-99 |

Recommended miscellaneous



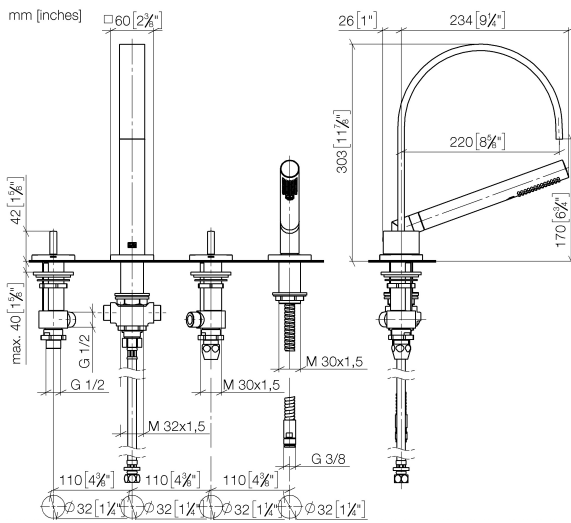
Perfecto installation kit - 12 614 970 90

Recommended miscellaneous

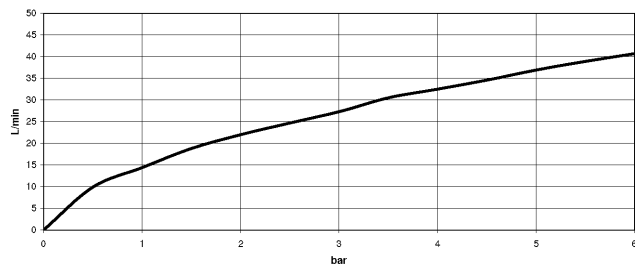


Decorative caps for Perfecto - Platinum 12 801 970-08
• 1 pair

27 532 782



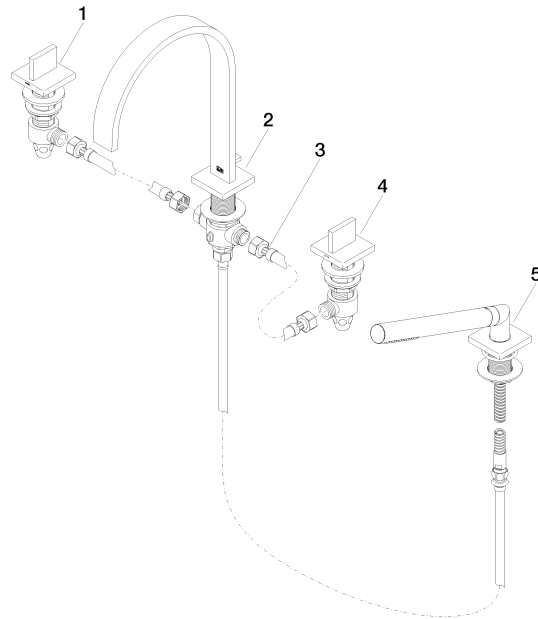
Flow rate chart



Certificates

IAPMO_4976 (5). WRAS_2306058. LGA_9681. Belgaqua_21-026-27_4.

27 532 782



Spare parts list

| No. | Item Number | Name | Quantity used | Delivery time |
|-----|---------------|---|---------------|---------------|
| 1 | 20 000 783-08 | MEM Deck valve anti-clockwise closing hot - Platinum | 1 | 40 |
| 2 | 13 512 782-08 | spout | 1 | 60 |
| 3 | 12 502 970 90 | High pressure hose 1/2" x 1/2" x 400 mm - | 1 | 2 |
| 4 | 20 000 782-08 | MEM Deck valve clockwise closing cold - Platinum | 1 | 40 |
| 5 | 27 702 980-08 | Hand shower set for bath rim or tile edge installation - Platinum | 1 | 40 |