

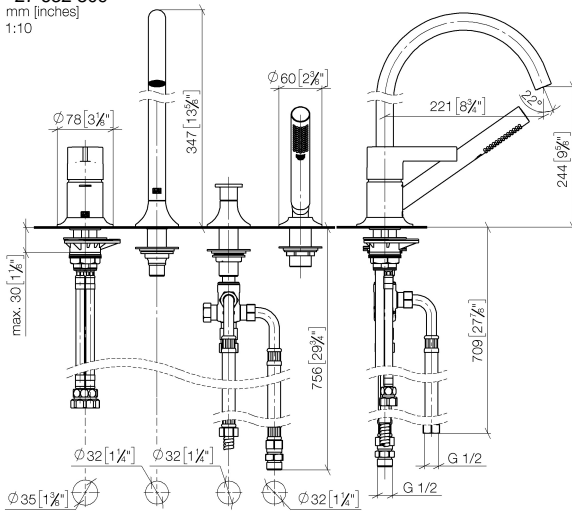
27 632 809



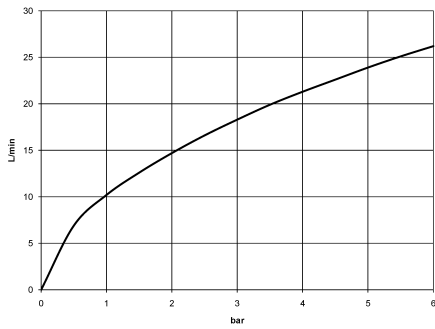
- spout: circular, air-enriched flow
  - max. flow 24.6 l/min at 3 bar flow pressure
  - Hand shower: COMPACT RAIN, max. flow rate 6.8 l/min (at 3 bar)
  - complete hand shower set with anti-scale system
  - automatic bath/shower diverter
  - 220mm projection
  - height of mixer 347 mm
  - height up to aerator 244 mm
  - hole diameter spout 32 mm
  - hole diameter single-lever mixer 35 mm
  - hole diameter for complete hand shower set 32 mm
  - rosette for spout Ø 60mm
  - rosette for single-lever mixer Ø 55mm
  - rosette for complete hand shower set Ø 60mm
  - metal shower hose 1750mm with integrated anti-twist protection
- Intrinsic protection against back flow.

	Brushed Durabross (23kt Gold)	27 632 809-28
	Chrome	27 632 809-00
	Brushed Platinum	27 632 809-06
	Platinum	27 632 809-08
	Dark Chrome	27 632 809-19
	Brushed Bronze	27 632 809-42
	Brushed Champagne (22kt Gold)	27 632 809-46
	Champagne (22kt Gold)	27 632 809-47
	Brushed Dark Platinum	27 632 809-99

27 632 809  
mm [inches]  
1:10



Flow rate chart

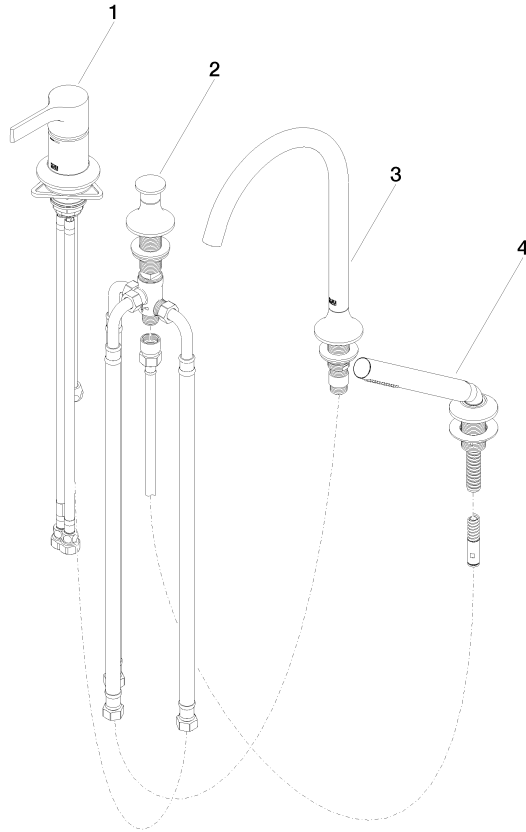


Certificates

LGA\_29747.

Belgaqua\_21-026-  
27\_4.

27 632 809  
Parts for other  
finishes can be found  
here: Chrome



**Spare parts list**

No.	Item Number	Name	Quantity used	Delivery time
1	29 300 809-28	connection	1	20
2	29 140 809-28	VAIA Two-way diverter for bath rim or tile edge installation - Brushed Durabronz (23kt Gold)	1	20
3	13 612 809-28	VAIA Bath spout without diverter for deck mounting - Brushed Durabronz (23kt Gold)	1	-
Spare part can no longer be ordered, please order the replacement item				
4	27 702 809-28	VAIA Hand shower set for bath rim or tile edge installation - Brushed Durabronz (23kt Gold)	1	20