

27 702 980



Fits: IMO, MEM, CL.1, CYO

- COMPACT RAIN, max. flow rate 6.8 l/min (at 3 bar)
- with anti-scale system
- rosette 60 x 60 mm
- hole diameter 32 mm
- metal shower hose 2250mm with integrated anti-twist protection
- WRAS 2209005

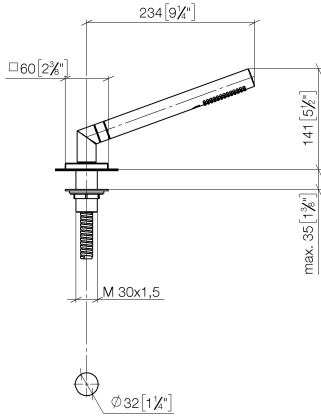
Two-piece design allows hose to later be changed without dismantling the fitting.

Intrinsic protection against back flow.

	Brushed Chrome	27 702 980-93
	Chrome	27 702 980-00
	Brushed Platinum	27 702 980-06
	Platinum	27 702 980-08
	Dark Chrome	27 702 980-19
	Brushed Light Gold	27 702 980-27
	Brushed Durabronze (23kt Gold)	27 702 980-28
	Matte Black	27 702 980-33
	Brushed Champagne (22kt Gold)	27 702 980-46
	Champagne (22kt Gold)	27 702 980-47
	Brushed Dark Platinum	27 702 980-99

27 702 980

mm [inches]



Flow rate chart



Codes & Standards

ASME A112.18.1

cUPC

EN 1717

Scottish Water
Byelaws

UK Water Supply
Regulations



Hand shower set for bath rim or tile edge installation - Brushed Chrome

IMO

27 702 980

Certificates

IAPMO_4976

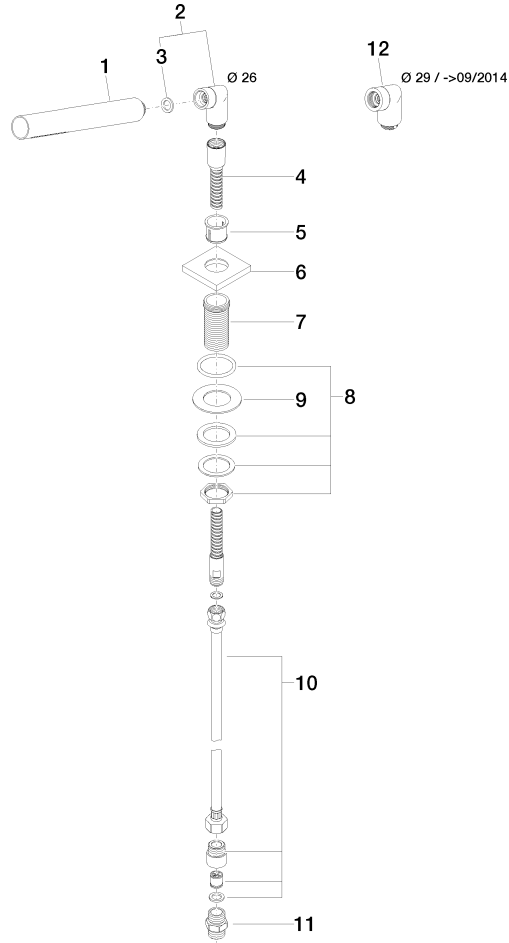
Belgaqua_21-383-2 WRAS_2209

27 702 980

Product version up to 5/15/2020

Product version from 5/15/2020

Parts for other finishes can be found here: [Chrome](#)





Hand shower set for bath rim or tile edge installation - Brushed Chrome

IMO

27 702 980

Spare parts list

Product version up to 5/15/2020

Product version from 5/15/2020

No.	Item Number	Name	Quantity used	Delivery time
	90 12 11 140 30-93	shower	12	20