

27 718 809




- with round rosette
- spray flow
- automatic spout/shower diverter
- height of mixer 171 mm
- hole diameter rinsing spray 32mm
- fabric braided hose 1500 mm
- sprayface with anti-scaling system
- lead-free
- This product can help a building meet the requirements of Green Building Rating Systems, e.g. LEED®, BREEAM®, DGNB

Can only be combined with 33810809, 33826809, 19815809, 19825809.

Intrinsic protection against back flow.

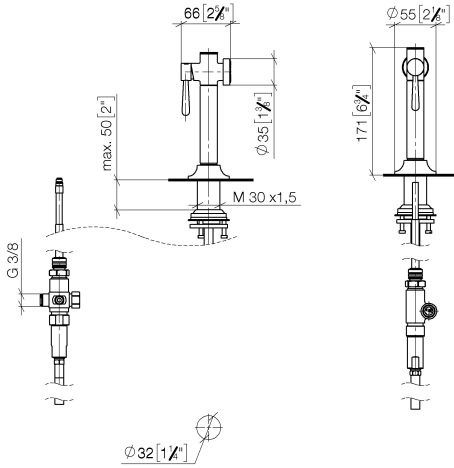
Residual water may emerge from the spray after closing.

Operating unit can be positioned freely.

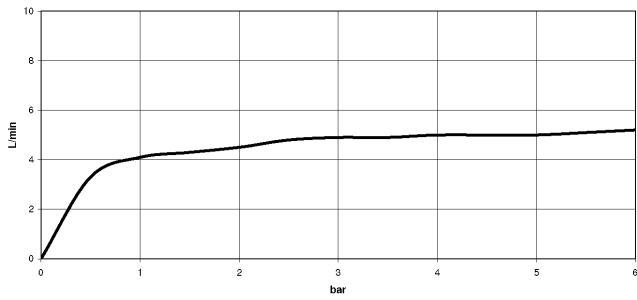
|   |                               |               |
|---|-------------------------------|---------------|
|    | Brushed Dark Platinum         | 27 718 809-99 |
|    | Chrome                        | 27 718 809-00 |
|    | Brushed Platinum              | 27 718 809-06 |
|    | Platinum                      | 27 718 809-08 |
|    | Durabrand (23kt Gold)         | 27 718 809-09 |
|    | Dark Chrome                   | 27 718 809-19 |
|    | Brushed Durabrand (23kt Gold) | 27 718 809-28 |
|    | Matte Black                   | 27 718 809-33 |
|    | Brushed Champagne (22kt Gold) | 27 718 809-46 |
|  | Champagne (22kt Gold)         | 27 718 809-47 |
|  | Brushed Chrome                | 27 718 809-93 |

27 718 809

mm [inches]



Flow rate chart

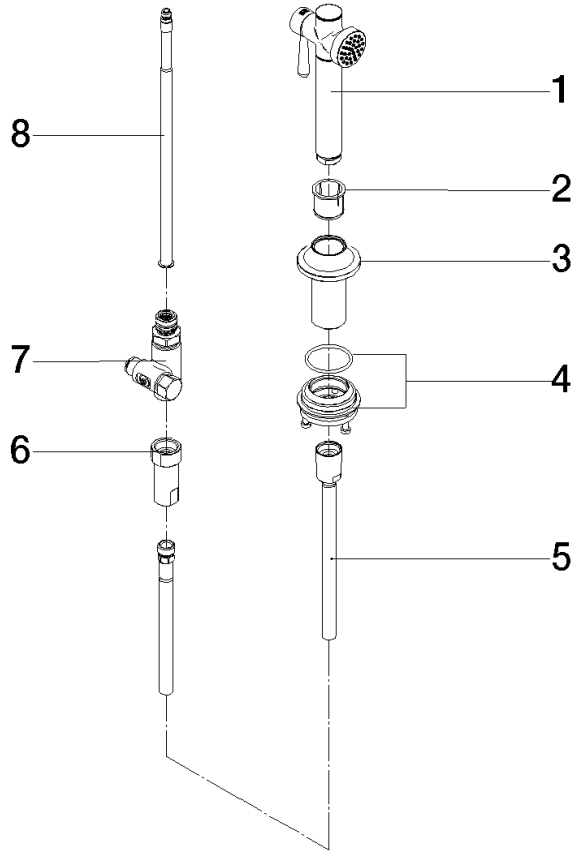


Certificates

LGA\_38634.

27 718 809

Parts for other finishes can be found here: [Chrome](#)



Spare parts list

| No.  | Item Number        | Name       | Quantity used | Delivery time |
|--|--------------------|------------|---------------|---------------|
| 1  | 90 12 11 096 12-99 | shower     | 1             | -             |
| Spare part can no longer be ordered, please order the replacement item |                    |            |               |               |
| 2  | 90 18 40 085 00 90 | sleeve     | 1             | 2             |
| 3  | 90 30 01 142 00-99 | shaft      | 1             | -             |
| Spare part can no longer be ordered, please order the replacement item |                    |            |               |               |
| 4  | 04 23 10 047 00 92 | fixing set | 1             | 60            |
| 5  | 90 30 02 062 00-99 | hose       | 1             | 30            |
| 6  | 90 24 03 241 00 90 | nipple     | 1             | 2             |
| 7  | 90 17 09 046 12 90 | diverter   | 1             | 2             |
| 8  | 90 28 20 068 00 90 | connection | 1             | 2             |