




EDITION PRO Hand shower set - Brushed Chrome

27 805 626



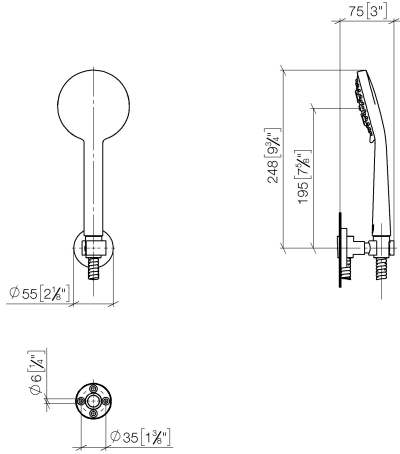
- spray head Ø 100mm
- three settings: normal flow, soft flow, massage flow
- with anti-scale system
- metal shower hose 1250mm with integrated anti-twist protection
- shower holder rosette Ø 55mm
- max. flow 15 l/min
- WRAS

| | | |
|---|----------------|---------------|
|  | Brushed Chrome | 27 805 626-93 |
|  | Chrome | 27 805 626-00 |
|  | Matte Black | 27 805 626-33 |

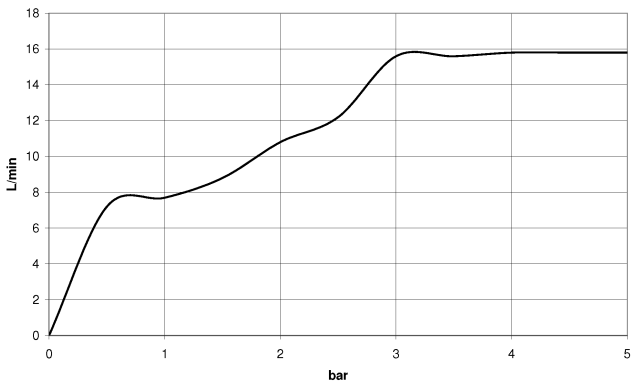
EDITION PRO Hand shower set - Brushed Chrome

27 805 626

mm [inches]



Flow rate chart



Codes & Standards

DIN 4109

ISO 3822

Scottish Water
Byelaws

UK Water Supply
Regulations

Ü-Zeichen



EDITION PRO Hand shower set - Brushed Chrome

27 805 626

Certificates

LGA_29

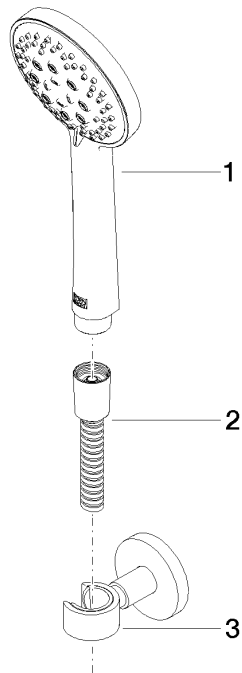
LGA_29

WRAS_2304

EDITION PRO Hand shower set - Brushed Chrome

27 805 626

Parts for other finishes can be found here: [Chrome](#)



Spare parts list

| No. | Item Number | Name | Quantity used | Delivery time |
|-----|--------------------|--|---------------|---------------|
| 1 | 28 018 626-93 | EDITION PRO Hand shower - Brushed Chrome | 1 | 20 |
| 2 | 90 30 02 072 00-93 | Metal shower hose 1/2" x 3/8" x 1250 mm - Brushed Chrome | 1 | 20 |
| 3 | 28 050 625-93 | Wall bracket - Brushed Chrome | 1 | 20 |