

Wall elbow - Chrome

IMO

28 450 980



- 3/8" shower outlet
- rosette 60 x 60 mm
- 1/2" connection
- WRAS 2310091

Intrinsic protection against back flow.

Fits: IMO, MEM, CL.1, CYO

| | | |
|--|-------------------------------|---------------|
|  | Chrome | 28 450 980-00 |
|  | Brushed Platinum | 28 450 980-06 |
|  | Platinum | 28 450 980-08 |
|  | Durabress (23kt Gold) | 28 450 980-09 |
|  | Dark Chrome | 28 450 980-19 |
|  | Brushed Light Gold | 28 450 980-27 |
|  | Brushed Durabress (23kt Gold) | 28 450 980-28 |
|  | Matte Black | 28 450 980-33 |
|  | Brushed Bronze | 28 450 980-42 |
|  | Brushed Champagne (22kt Gold) | 28 450 980-46 |
|  | Champagne (22kt Gold) | 28 450 980-47 |
|  | Brushed Chrome | 28 450 980-93 |
|  | Brushed Dark Platinum | 28 450 980-99 |

Recommended miscellaneous

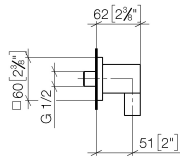
Concealed wall elbow - 35 085 970 90



- max. recess depth 163 mm
- min. recess depth 90 mm

28 450 980

mm [inches]



Flow rate chart



Codes & Standards

ASME A112.18.1

cUPC

EN 1717

Scottish Water
Byelaws

UK Water Supply
Regulations



Wall elbow - Chrome

IMO

28 450 980

Certificates

IAPMO_4976

WRAS_1807

WRAS_2310

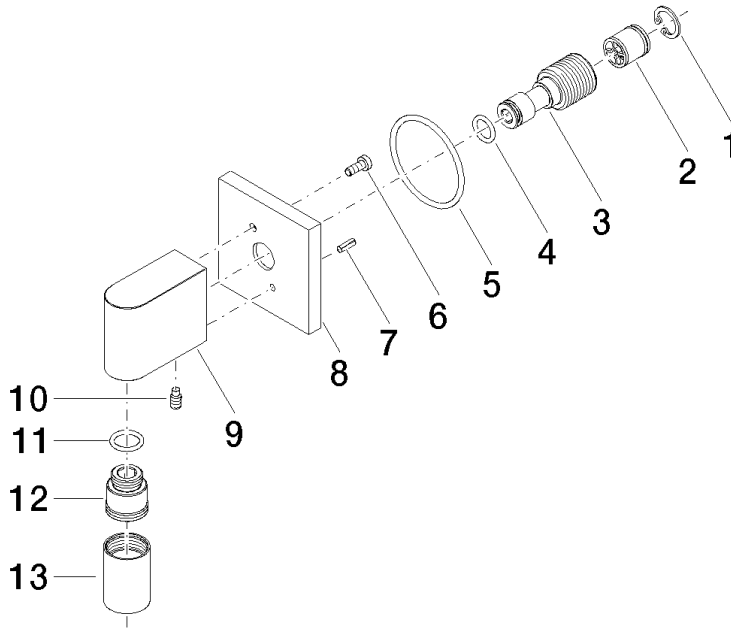
Belgaqua_22_280_2

28 450 980

Product version up to 7/6/2018

Product version from 7/6/2018 to 3/2/2021

Product version from 3/2/2021





Wall elbow - Chrome

IMO

28 450 980

Spare parts list

Product version up to 7/6/2018

Product version from 7/6/2018 to 3/2/2021

Product version from 3/2/2021

| No. | Item Number | Name | Quantity used | Delivery time |
|-----|-----------------|------|---------------|---------------|
| | 09 16 01 014 90 | ring | 13 | 2 |