

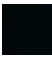
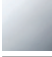



EDITION PRO Rain shower with wall fixing FlowReduce 220 mm - Matte Black

28 648 626



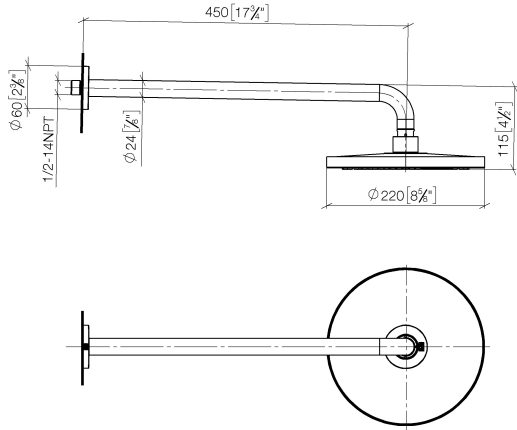
- 450mm projection
- rain flow
- with anti-scale system
- rain shower Ø 220 mm
- rosette Ø 60 mm
- 1/2" connection
- max. flow 7 l/min
- quick clearing
- This product can help a building meet the requirements of Green Building Rating Systems, e.g. LEED®, BREEAM®, DGNB

| | | |
|---|----------------|---------------|
|  | Matte Black | 28 648 626-33 |
|  | Chrome | 28 648 626-00 |
|  | Brushed Chrome | 28 648 626-93 |

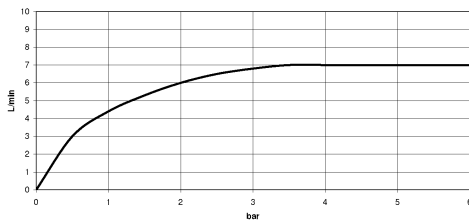
EDITION PRO Rain shower with wall fixing FlowReduce 220 mm - Matte Black

28 648 626

mm [inches]



Flow rate chart



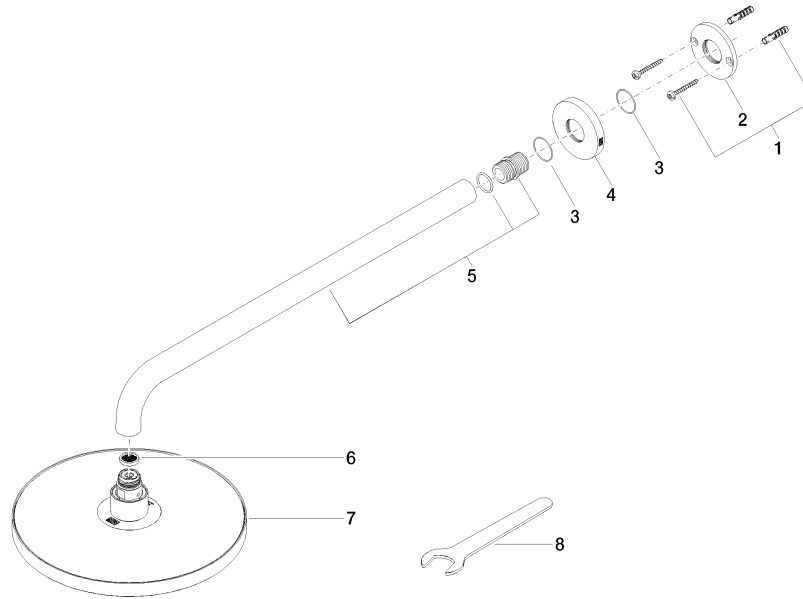
Certificates

LGA_38655.

EDITION PRO Rain shower with wall fixing FlowReduce 220 mm - Matte Black

28 648 626

Parts for other finishes can be found here: [Chrome](#)



Spare parts list

| No. | Item Number | Name | Quantity used | Delivery time |
|-----|--------------------|------------|---------------|---------------|
| 1 | 04 30 31 032 00 90 | fixing set | 1 | 2 |
| 2 | 09 17 20 120 90 | holder | 1 | 2 |
| 3 | 09 14 10 150 90 | seal | 2 | 2 |
| 4 | 09 27 97 015-33 | rosette | 1 | 30 |
| 5 | 90 11 03 070 00-33 | pipe | 1 | 30 |
| 6 | 09 23 01 075 90 | insert | 1 | 2 |
| 7 | 90 12 05 092 20-33 | shower | 1 | 30 |
| 8 | 90 30 09 069 00 90 | key | 1 | 2 |