

## Rain shower with wall fixing 400 mm - Chrome

28 659 970 Product version from 3/13/2017



- 450mm projection
- rain shower Ø 400 mm
- PURE RAIN, max. flow rate 20 l/min (at 3 bar)
- Function from: 12 l/min
- rosette Ø 60 mm
- 1/2" connection
- with anti-scale system
- WRAS

Product change as of 1st April 2024: max. flow 20l/min

|   |                                     |               |
|---|-------------------------------------|---------------|
|    | Chrome                              | 28 659 970-00 |
|    | Brushed Platinum                    | 28 659 970-06 |
|    | Platinum                            | 28 659 970-08 |
|    | Dark Chrome                         | 28 659 970-19 |
|    | Light Gold                          | 28 659 970-26 |
|    | Brushed Light Gold                  | 28 659 970-27 |
|    | Brushed Durabronze<br>(23kt Gold)   | 28 659 970-28 |
|    | Matte Black                         | 28 659 970-33 |
|    | Brushed Bronze                      | 28 659 970-42 |
|   | Brushed<br>Champagne (22kt<br>Gold) | 28 659 970-46 |
|  | Champagne (22kt<br>Gold)            | 28 659 970-47 |
|  | Brushed Chrome                      | 28 659 970-93 |
|  | Brushed Dark<br>Platinum            | 28 659 970-99 |

### Recommended miscellaneous



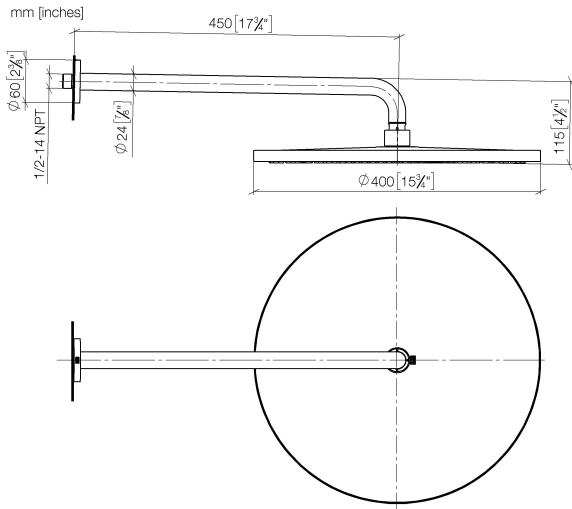
**Concealed wall elbow -**

- max. recess depth mm
- min. recess depth mm

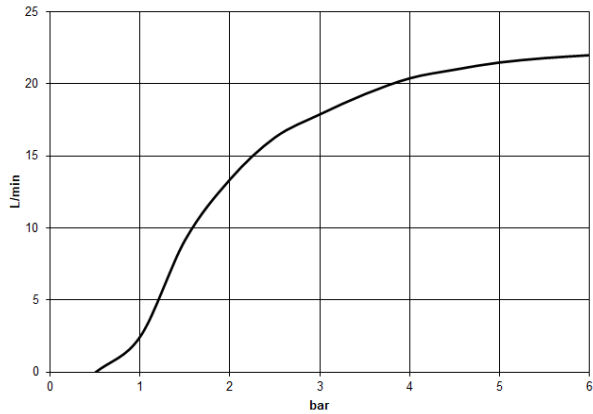
35 085 970 90

**Rain shower with wall fixing 400 mm - Chrome**

28 659 970 Product version from 3/13/2017



**Flow rate chart**



**Codes & Standards**

DIN 4109

EN 1112

ISO 3822

Scottish Water  
Byelaws

UK Water Supply  
Regulations

Ü-Zeichen



## Rain shower with wall fixing 400 mm - Chrome

---

28 659 970 Product version from 3/13/2017

### Certificates

---

LGA\_29

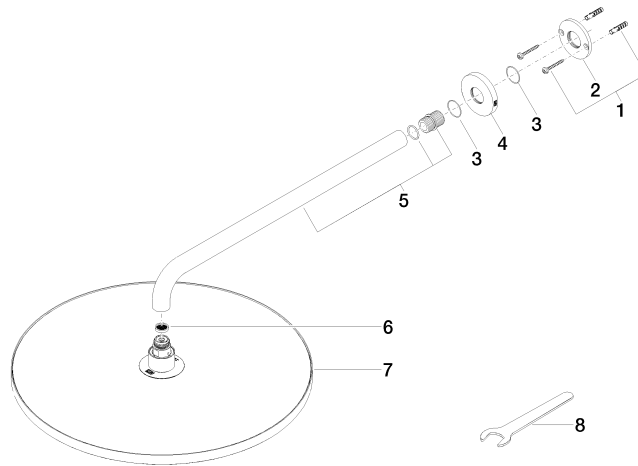
LGA\_29

WRAS\_2212

DVGW\_DW-  
6517DN0

## Rain shower with wall fixing 400 mm - Chrome

28 659 970 Product version from 3/13/2017



### Spare parts list

| No. | Item Number        | Name       | Quantity used | Delivery time |
|-----|--------------------|------------|---------------|---------------|
| 1   | 04 30 31 032 00 90 | fixing set | 1             | 2             |
| 2   | 09 17 20 120 90    | holder     | 1             | 2             |
| 3   | 09 14 10 150 90    | seal       | 2             | 2             |
| 4   | 09 27 97 015-00    | rosette    | 1             | 10            |
| 5   | 90 11 03 070 00-00 | pipe       | 1             | 10            |
| 6   | 09 23 01 075 90    | insert     | 1             | 2             |
| 7   | 90 12 05 090 00-00 | shower     | 1             | 10            |
| 8   | 90 30 09 069 00 90 | key        | 1             | 2             |