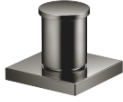


**Two-way diverter for bath rim or tile edge installation - Dark Chrome**

IMO

29 140 670



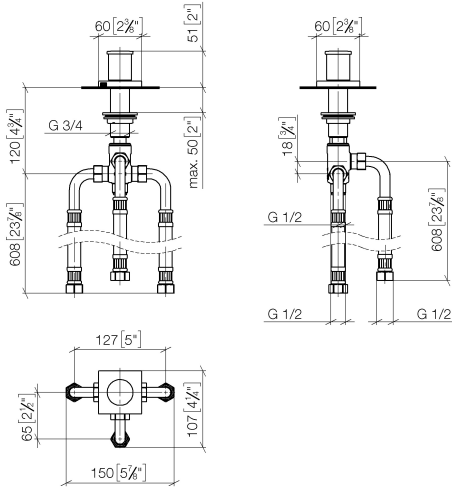
- automatic bath/shower diverter
- hole diameter 32 mm
- rosette 60 x 60 mm
- 1/2" connection
- max. flow 64.9 l/min at 3 bar flow pressure
- WRAS 1911025

Fits: IMO, MEM, CYO

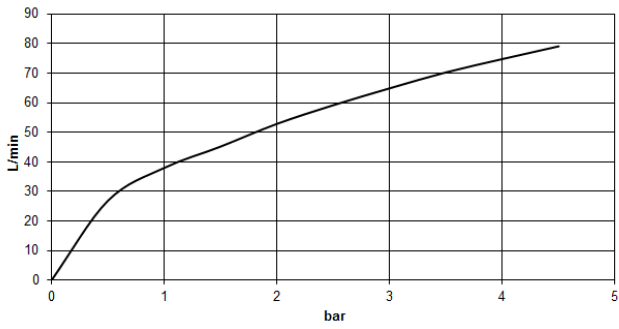
	Dark Chrome	29 140 670-19
	Chrome	29 140 670-00
	Brushed Platinum	29 140 670-06
	Platinum	29 140 670-08
	Brushed Light Gold	29 140 670-27
	Brushed Durabross (23kt Gold)	29 140 670-28
	Matte Black	29 140 670-33
	Brushed Champagne (22kt Gold)	29 140 670-46
	Champagne (22kt Gold)	29 140 670-47
	Brushed Chrome	29 140 670-93
	Brushed Dark Platinum	29 140 670-99

29 140 670

mm [inches]



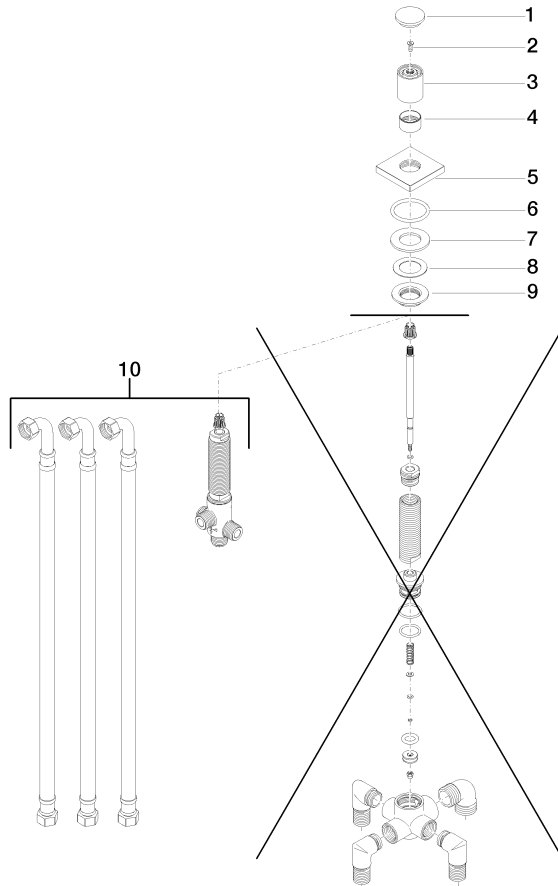
Flow rate chart



29 140 670

**Product version from 6/30/2015**

Parts for other finishes can be found here: [Chrome](#)





## Two-way diverter for bath rim or tile edge installation - Dark Chrome

---

IMO

29 140 670

### **Spare parts list**

**Product version from 6/30/2015**