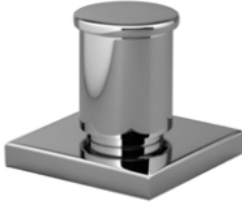


Two-way diverter for bath rim or tile edge installation - Brushed Light Gold

IMO

29 140 670



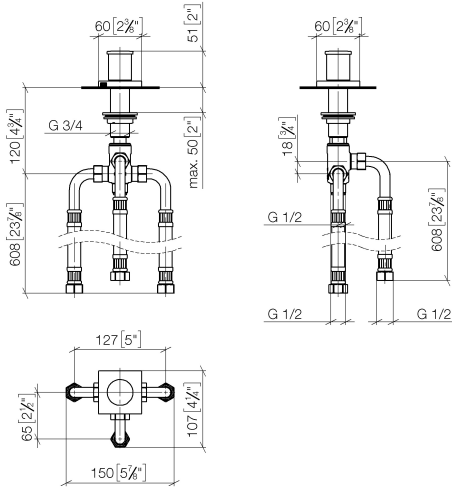
Fits: IMO, MEM, CYO

- automatic bath/shower diverter
- hole diameter 32 mm
- rosette 60 x 60 mm
- 1/2" connection
- max. flow 64.9 l/min at 3 bar flow pressure
- WRAS 1911025

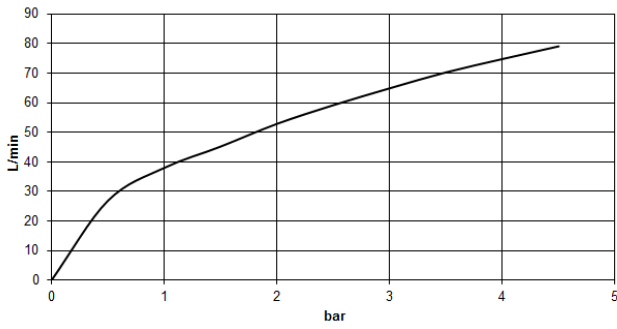
	Brushed Light Gold	29 140 670-27
	Chrome	29 140 670-00
	Brushed Platinum	29 140 670-06
	Platinum	29 140 670-08
	Dark Chrome	29 140 670-19
	Brushed Durabross (23kt Gold)	29 140 670-28
	Matte Black	29 140 670-33
	Brushed Champagne (22kt Gold)	29 140 670-46
	Champagne (22kt Gold)	29 140 670-47
	Brushed Chrome	29 140 670-93
	Brushed Dark Platinum	29 140 670-99

29 140 670

mm [inches]



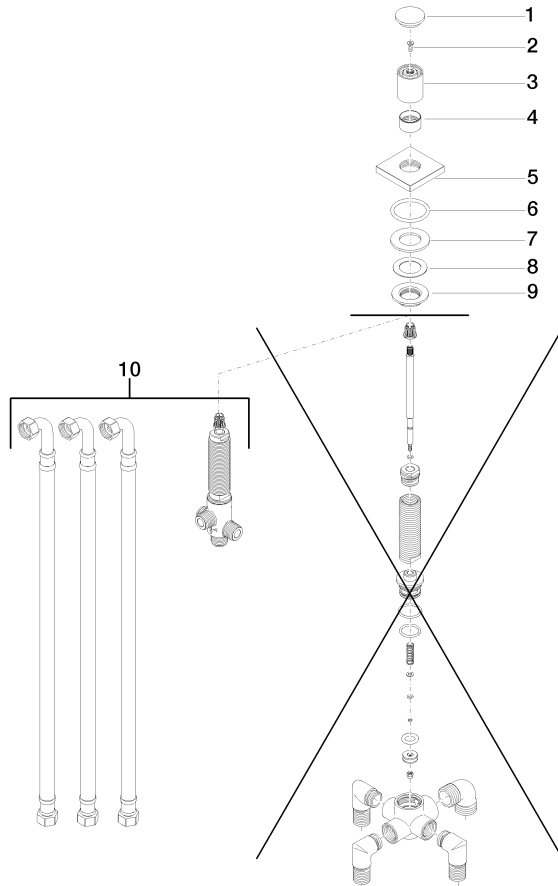
Flow rate chart



29 140 670

Product version from 6/30/2015

Parts for other finishes can be found here: [Chrome](#)





Two-way diverter for bath rim or tile edge installation - Brushed Light Gold

IMO

29 140 670

Spare parts list

Product version from 6/30/2015