

**Two-way diverter for bath rim or tile edge installation - Brushed Durabrand (23kt Gold)**

IMO

29 140 670



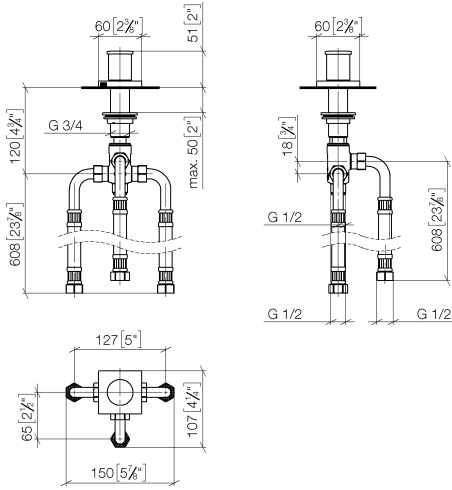
- automatic bath/shower diverter
- hole diameter 32 mm
- rosette 60 x 60 mm
- 1/2" connection
- max. flow 64.9 l/min at 3 bar flow pressure
- WRAS 1911025

Fits: IMO, MEM, CYO

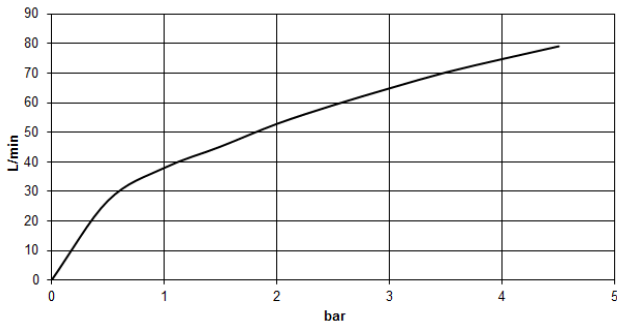
	Brushed Durabrand (23kt Gold)	29 140 670-28
	Chrome	29 140 670-00
	Brushed Platinum	29 140 670-06
	Platinum	29 140 670-08
	Dark Chrome	29 140 670-19
	Brushed Light Gold	29 140 670-27
	Matte Black	29 140 670-33
	Brushed Champagne (22kt Gold)	29 140 670-46
	Champagne (22kt Gold)	29 140 670-47
	Brushed Chrome	29 140 670-93
	Brushed Dark Platinum	29 140 670-99

**Two-way diverter for bath rim or tile edge installation - Brushed Durabronz (23kt Gold)**

29 140 670  
mm [inches]



**Flow rate chart**



**Codes & Standards**

DIN 4109

ISO 3822

Scottish Water  
Byelaws

UK Water Supply  
Regulations

**Ü-Zeichen**



Two-way diverter for bath rim or tile edge installation - Brushed Durabronss (23kt Gold)

---

IMO

29 140 670  
Certificates

---

LGA\_29

WRAS\_1911



# Two-way diverter for bath rim or tile edge installation - Brushed Durabronz (23kt Gold)

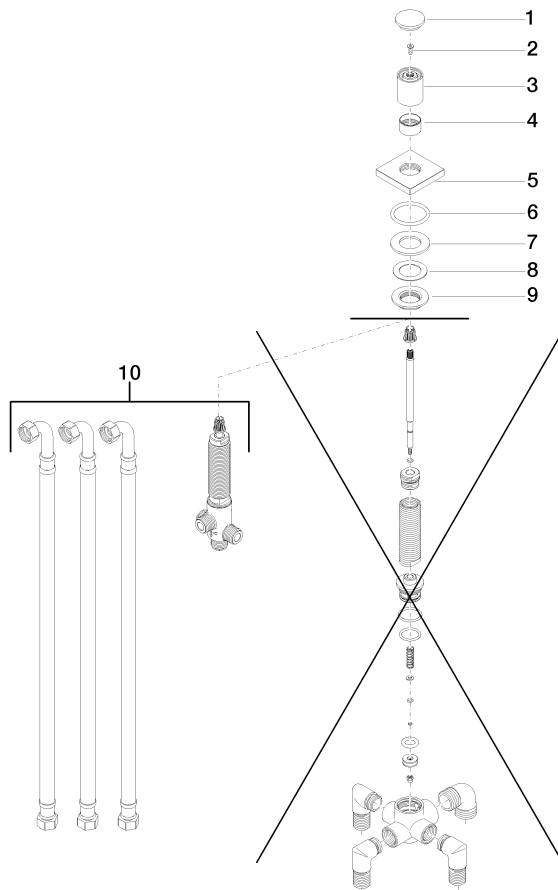
IMO

29 140 670

Product version up to 6/30/2015

## Product version from 6/30/2015

Parts for other finishes can be found here: [Chrome](#)





Two-way diverter for bath rim or tile edge installation - Brushed Durabronze (23kt Gold)

IMO

29 140 670

Spare parts list

Product version up to 6/30/2015

**Product version from 6/30/2015**

No.	Item Number	Name	Quantity used	Delivery time
	09 20 71 003-28	handle	10	20