

Two-way diverter for bath rim or tile edge installation - Brushed Chrome

IMO

29 140 670



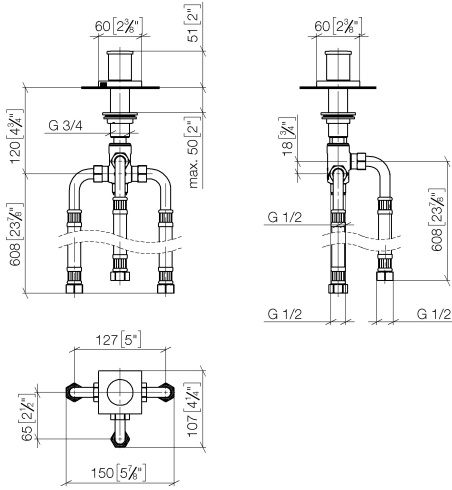
- automatic bath/shower diverter
- hole diameter 32 mm
- rosette 60 x 60 mm
- 1/2" connection
- max. flow 64.9 l/min at 3 bar flow pressure
- WRAS 1911025

Fits: IMO, MEM, CYO

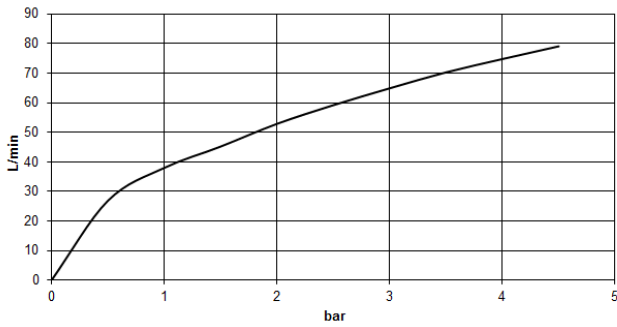
	Brushed Chrome	29 140 670-93
	Chrome	29 140 670-00
	Brushed Platinum	29 140 670-06
	Platinum	29 140 670-08
	Dark Chrome	29 140 670-19
	Brushed Light Gold	29 140 670-27
	Brushed Durabronze (23kt Gold)	29 140 670-28
	Matte Black	29 140 670-33
	Brushed Champagne (22kt Gold)	29 140 670-46
	Champagne (22kt Gold)	29 140 670-47
	Brushed Dark Platinum	29 140 670-99

29 140 670

mm [inches]



Flow rate chart



Codes & Standards

ASME A112.18.1

cUPC

DIN 4109

ISO 3822

Scottish Water
Byelaws

UK Water Supply
Regulations

Ü-Zeichen



Two-way diverter for bath rim or tile edge installation - Brushed Chrome

IMO

29 140 670

Certificates

IAPMO_4976

LGA_29

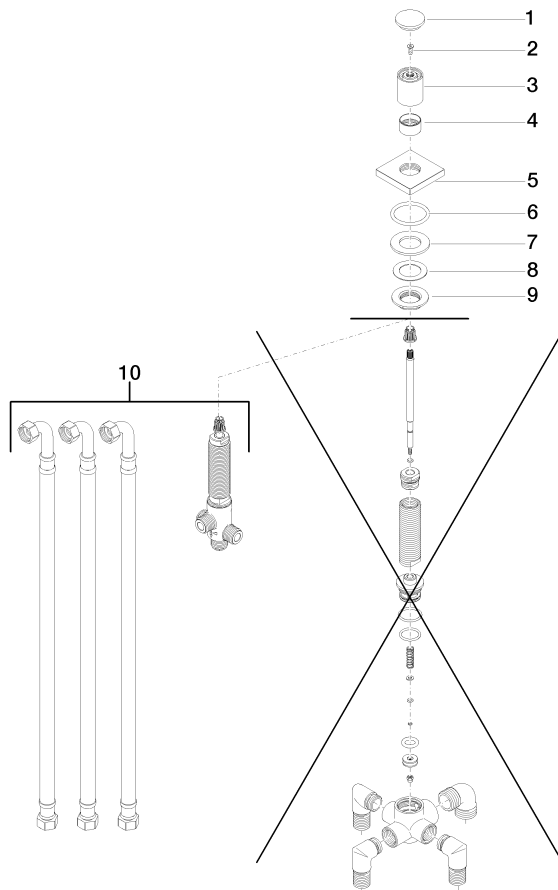
WRAS_1911

29 140 670

Product version up to 6/30/2015

Product version from 6/30/2015

Parts for other finishes can be found here: Chrome





Two-way diverter for bath rim or tile edge installation - Brushed Chrome

IMO

29 140 670

Spare parts list

Product version up to 6/30/2015

Product version from 6/30/2015

No.	Item Number	Name	Quantity used	Delivery time
	09 20 71 003-93	handle	10	20