

LISSÉ Single-lever basin mixer with raised base with pop-up waste - Brushed Chrome

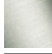





LISSÉ

33 506 845

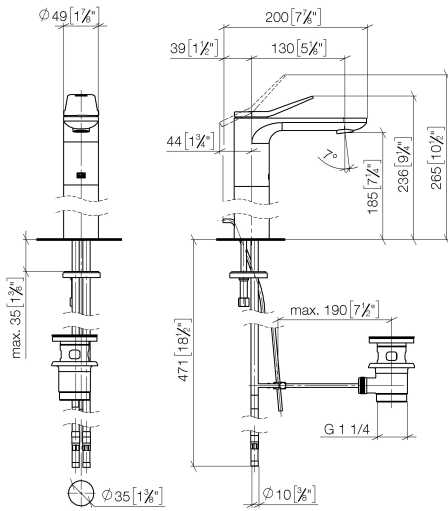


- 130mm projection
- fixed spout
- circular, air-enriched flow
- height of mixer 236 mm
- height up to aerator 185 mm
- hole diameter 35 mm
- 2x screw-in M 8 x 1 pressure hose, leak-tested
- max. flow 5.7 l/min
- lead-free
- This product can help a building meet the requirements of Green Building Rating Systems, e.g. LEED®, BREEAM®, DGNB
- WRAS 1906074

Only suitable for basins with an overflow.

| | | |
|---|-----------------------|---------------|
|  | Brushed Chrome | 33 506 845-93 |
|  | Chrome | 33 506 845-00 |
|  | Brushed Platinum | 33 506 845-06 |
|  | Dark Chrome | 33 506 845-19 |
|  | Matte Black | 33 506 845-33 |
|  | Brushed Dark Platinum | 33 506 845-99 |

33 506 845
mm [inches]



Flow rate chart



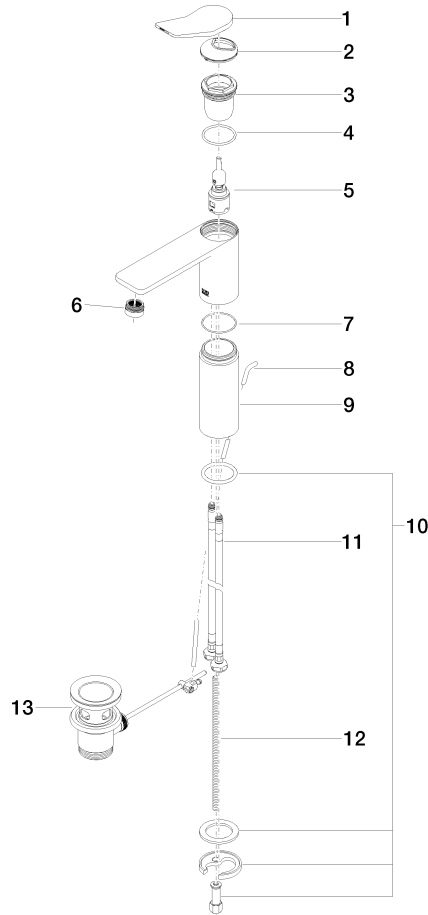
Certificates

LGA_29008.

WRAS_1906074.

GDV_0400310.

33 506 845
Parts for other
finishes can be found
here: Chrome



Spare parts list

| No. | Item Number | Name | Quantity used | Delivery time |
|-----|--------------------|--------------|---------------|---------------|
| 1 | 90 20 84 020 00-93 | handle | 1 | 20 |
| 2 | 09 28 30 034 90 | cover | 1 | 2 |
| 3 | 09 23 10 123 90 | nut | 1 | 2 |
| 4 | 09 14 10 038 90 | seal | 1 | 2 |
| 5 | 90 15 05 042 01 90 | cartridge | 1 | 2 |
| 6 | 90 23 01 161 01-93 | aerator | 1 | 20 |
| 7 | 09 14 10 108 90 | seal | 1 | 2 |
| 8 | 09 31 09 120-93 | pull-rod | 1 | 20 |
| 9 | 09 28 22 305-93 | sleeve | 1 | 20 |
| 10 | 04 30 11 038 75 90 | fixing set | 1 | 2 |
| 11 | 04 30 04 101 00 90 | hose | 2 | 2 |
| 12 | 09 31 11 000 90 | pin | 1 | 2 |
| 13 | 90 11 01 001 00-93 | pop-up waste | 1 | 20 |