

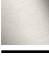

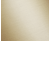



33 521 705

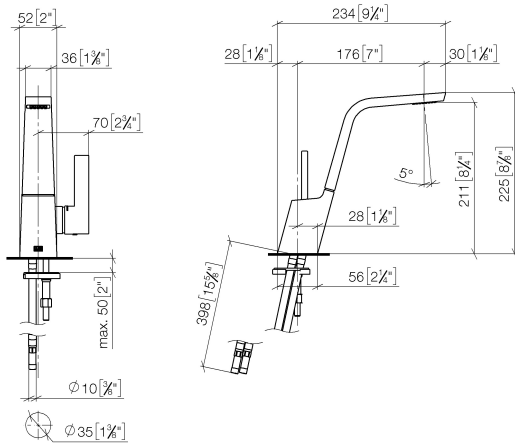


- 173mm projection
- fixed spout
- rectangular spray pattern with 40 individual jets
- height of mixer 226 mm
- base 56 x 52mm
- height up to aerator 212 mm
- hole diameter 35 mm
- 2x screw-in M 8 x 1 pressure hose, leak-tested
- max. flow 4 l/min
- lead-free
- WRAS 1612021
- This product can help a building meet the requirements of Green Building Rating Systems, e.g. LEED®, BREEAM®, DGNB

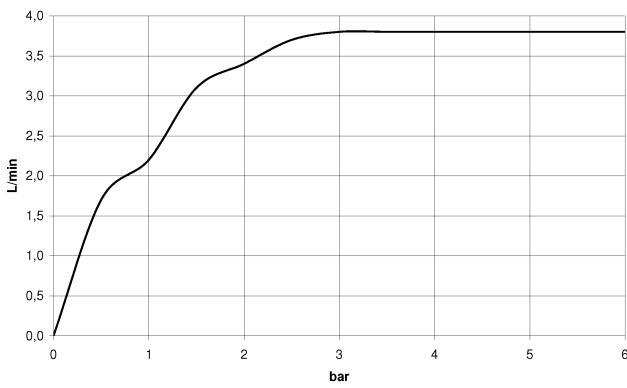
	Brushed Dark Platinum	33 521 705-99
	Chrome	33 521 705-00
	Brushed Platinum	33 521 705-06
	Dark Chrome	33 521 705-19
	Brushed Champagne (22kt Gold)	33 521 705-46
	Champagne (22kt Gold)	33 521 705-47

33 521 705

mm [inches]



**Flow rate chart**



**Codes & Standards**

DIN 4109	Executive Order no. 1007	ISO 3822	Scottish Water Byelaws
UK Water Supply Regulations	Ü-Zeichen		



CL.1 Single-lever basin mixer without pop-up waste - Brushed Dark Platinum

---

CL.1

33 521 705

Certificates

---

LGA\_28

WRAS\_1612

GDV\_0400

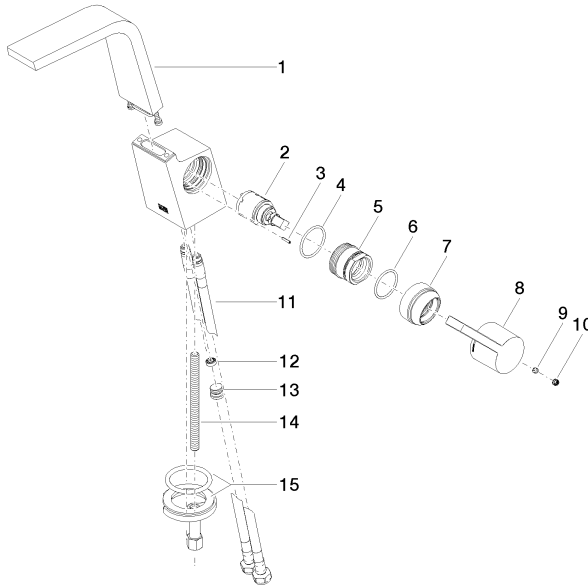
33 521 705

Product version from 3/9/2015 to 5/15/2020

Product version from 5/15/2020 to 5/10/2021

**Product version from 5/10/2021**

Parts for other  
finishes can be found  
here: [Chrome](#)





CL.1 Single-lever basin mixer without pop-up waste - Brushed Dark Platinum

CL.1

33 521 705

Spare parts list

Product version from 3/9/2015 to 5/15/2020

Product version from 5/15/2020 to 5/10/2021

**Product version from 5/10/2021**

No.	Item Number	Name	Quantity used	Delivery time
	90 11 70 001 00-99	spout	16	30