



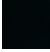


## EDITION PRO Single-lever basin mixer without pop-up waste - Brushed Chrome

33 526 626

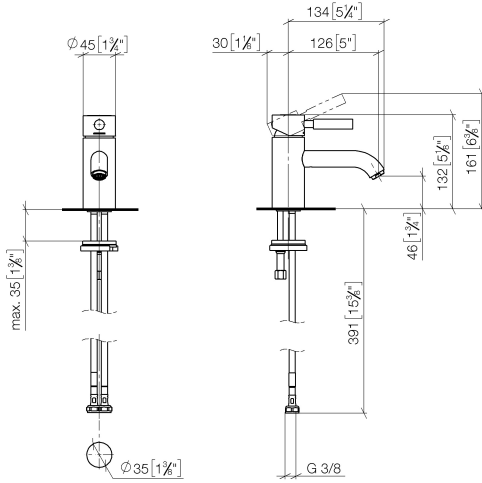


- 126mm projection
- fixed spout
- circular, air-enriched flow
- height of mixer 132 mm
- height up to aerator 46 mm
- hole diameter 35 mm
- 2x screw-in M 10 x 1 pressure hose, leak-tested
- max. flow 7 l/min
- lead-free
- WRAS 240502020, 1807097

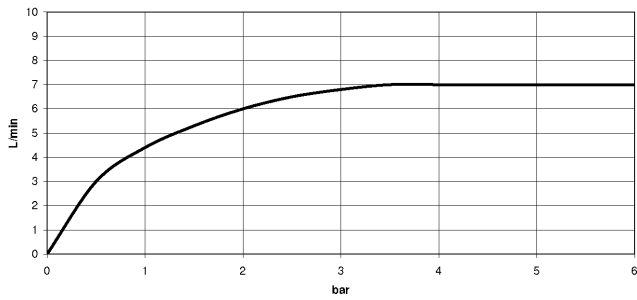
	Brushed Chrome	33 526 626-93
	Chrome	33 526 626-00
	Matte Black	33 526 626-33

**EDITION PRO Single-lever basin mixer without pop-up waste - Brushed Chrome**

33 526 626  
mm [inches]



**Flow rate chart**



**Certificates**

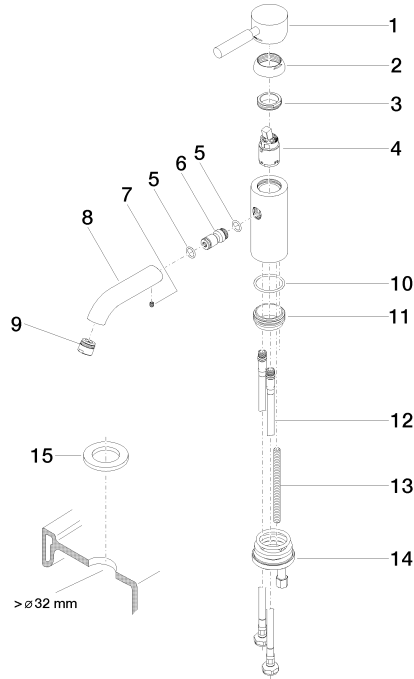
LGA\_9389.

WRAS\_240502020.

## EDITION PRO Single-lever basin mixer without pop-up waste - Brushed Chrome

33 526 626

Parts for other finishes can be found here: [Chrome](#)



### Spare parts list

No.	Item Number	Name	Quantity used	Delivery time
1	90 20 62 046 00-93	handle	1	20
2	09 28 30 008-93	cover	1	20
3	09 24 04 130-07	nut	1	30
4	90 15 05 041 00 90	cartridge	1	2
5	09 14 10 003 90	seal	1	2
6	09 24 04 025 10 90	nipple	1	2
7	90 31 11 030 00 90	pin	1	2
8	09 11 06 059 10-93	spout	1	20
9	90 23 01 022 00-93	aerator	1	20
10	09 14 10 119 90	seal	1	2
11	09 28 10 109-07	ring	1	30
12	04 30 04 104 00 90	hose	2	2
13	09 31 11 012 90	pin	1	2
14	04 30 11 085 88 90	fixing set	1	2
15	12 730 970-93	Rosette for tap hole cover - Brushed Chrome	1	10