

Single-lever bidet mixer with pop-up waste - Brushed Durabross (23kt Gold)

MEM

33 600 782

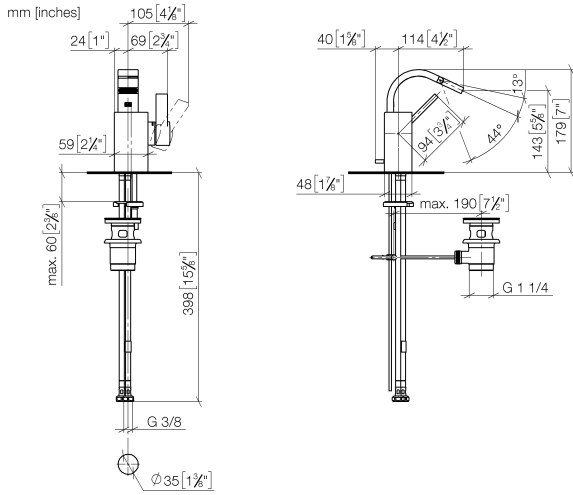


- 110mm projection
- ball-joint pivotable through 44°
- rectangular, air-enriched flow
- height of mixer 180 mm
- height up to aerator 140 mm
- hole diameter 35 mm
- 2x screw-in M 10 x 1 pressure hose, leak-tested
- max. flow 6 l/min
- WRAS 240202017

Fits: MEM, CYO

	Brushed Durabross (23kt Gold)	33 600 782-28
	Chrome	33 600 782-00
	Brushed Platinum	33 600 782-06
	Platinum	33 600 782-08
	Dark Chrome	33 600 782-19
		33 600 782-39
	Brushed Bronze	33 600 782-42
		33 600 782-43
	Brushed Champagne (22kt Gold)	33 600 782-46
	Champagne (22kt Gold)	33 600 782-47
	Brushed Dark Platinum	33 600 782-99

33 600 782



Flow rate chart



Codes & Standards

DIN 4109

ISO 3822

Scottish Water
Byelaws

UK Water Supply
Regulations

Ü-Zeichen



Single-lever bidet mixer with pop-up waste - Brushed Durabross (23kt Gold)

MEM

33 600 782

Certificates

WRAS_240202

WRAS_1807

LGA_28

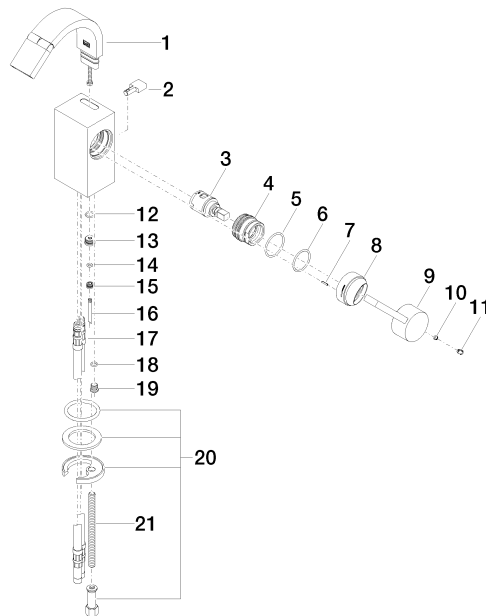
33 600 782

Product version from 3/10/2014 to 3/20/2019

Product version from 3/20/2019 to 5/5/2021

Product version from 5/5/2021

Parts for other
finishes can be found
here: [Chrome](#)



22 ———— Abbildungsnummer 0411.01.001.001



Single-lever bidet mixer with pop-up waste - Brushed Durabrass (23kt Gold)

MEM

33 600 782

Spare parts list

Product version from 3/10/2014 to 3/20/2019

Product version from 3/20/2019 to 5/5/2021

Product version from 5/5/2021

No.	Item Number	Name	Quantity used	Delivery time
	90 28 22 265 00-28	spout	23	20